



US00D914175S

(12) **United States Design Patent** (10) **Patent No.:** **US D914,175 S**  
**Smith** (45) **Date of Patent:** **\*\* Mar. 23, 2021**

(54) **CONCRETE FIRE BOWL**  
(71) Applicant: **Zachary Alan Smith**, San Diego, CA (US)  
(72) Inventor: **Zachary Alan Smith**, San Diego, CA (US)  
(\*\*) Term: **15 Years**  
(21) Appl. No.: **29/708,270**  
(22) Filed: **Oct. 4, 2019**  
(51) **LOC (13) Cl.** ..... **23-03**  
(52) **U.S. Cl.**  
USPC ..... **D23/343**  
(58) **Field of Classification Search**  
USPC ..... D23/332, 314, 343, 348, 350, 346, 336, D23/341, 342, 345; D7/332-337, D7/402-405, 352; D11/152, 154  
CPC ..... F24C 1/16; F24C 5/00; F24C 3/14; A47J 33/00; A47J 37/0763; A47J 37/07; F24B 1/18; F24B 1/182; F24B 1/1808; F24B 1/181; F24B 1/195; F24B 1/191  
See application file for complete search history.

D824,704 S \* 8/2018 Cully ..... D6/686  
D879,520 S \* 3/2020 Cully ..... D6/686  
10,746,408 B1 \* 8/2020 Goin ..... F23B 7/002  
2015/0327723 A1 \* 11/2015 Leighton ..... A47J 37/0704  
126/25 R  
2016/0327266 A1 \* 11/2016 Le Blanc ..... B67D 7/305  
2017/0273503 A1 \* 9/2017 Schuitemaker ..... F24C 1/16  
\* cited by examiner

*Primary Examiner* — Ania Aman  
(74) *Attorney, Agent, or Firm* — Lewis Kohn & Walker LLP; Kent M. Walker; Kari Moyer-Henry

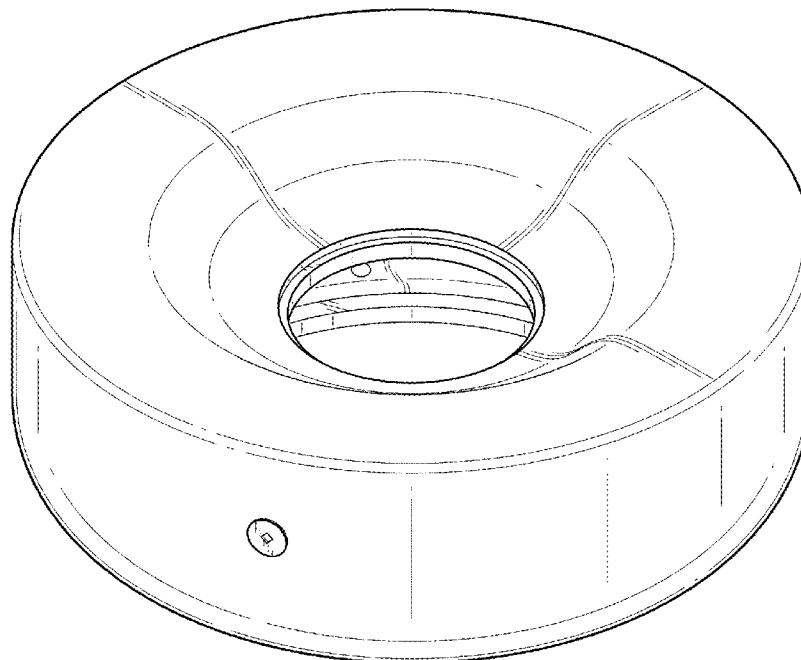
(57) **CLAIM**  
The ornamental design for a concrete fire bowl, as shown and described.

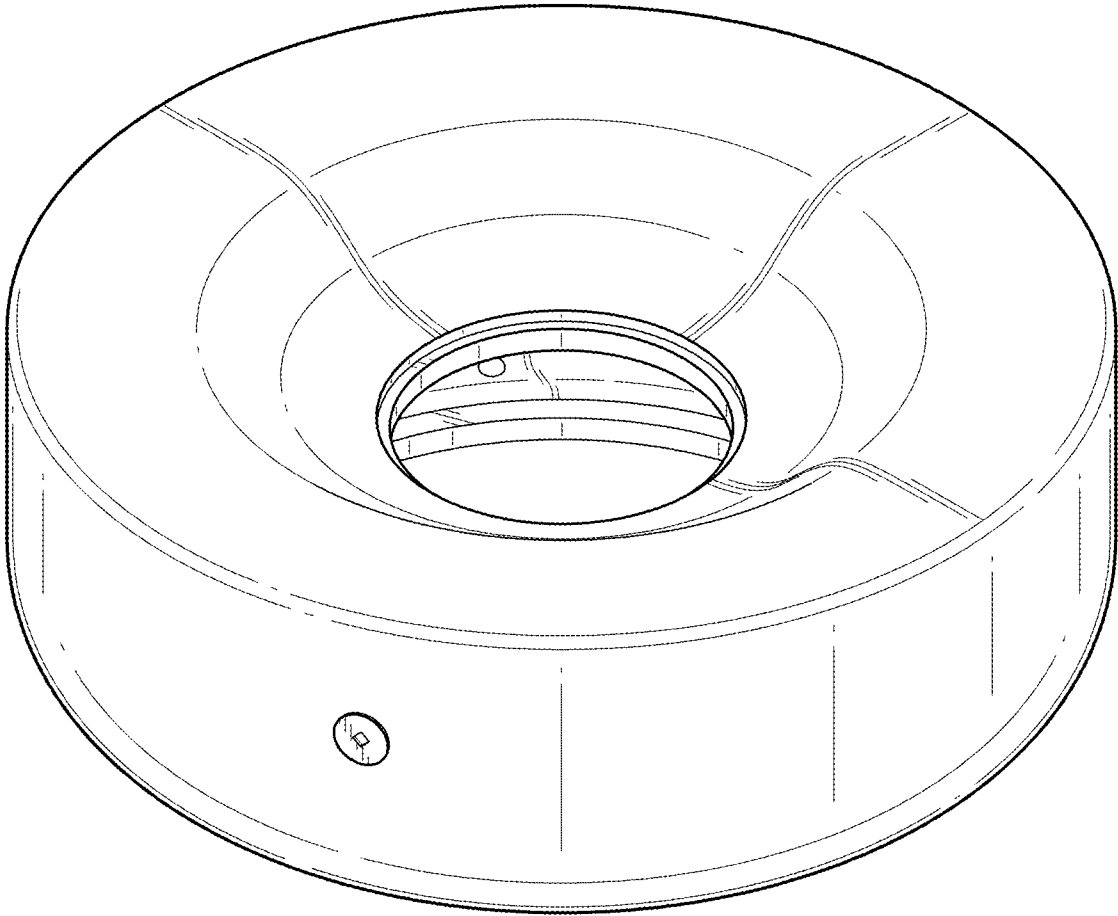
**DESCRIPTION**

FIG. 1 is a top perspective view of the concrete fire bowl embodied in the present invention;  
FIG. 2 is a bottom perspective view of the concrete fire bowl from FIG. 1;  
FIG. 3 is a front view of the concrete fire bowl from FIG. 1;  
FIG. 4 is a back view of the concrete fire bowl from FIG. 1;  
FIG. 5 is a right side view of the concrete fire bowl from FIG. 1;  
FIG. 6 is a left side view of the concrete fire bowl of FIG. 1;  
FIG. 7 is a top view of the concrete fire bowl of FIG. 1;  
FIG. 8 is a bottom view of the concrete fire bowl of FIG. 1;  
and,  
FIG. 9 is a cross-section view of the concrete fire bowl of FIG. 7.  
The dash-dash-dash broken line shown in FIGS. 3 through 6 is included for the purpose of illustrating environmental context and forms no part of the claimed design.

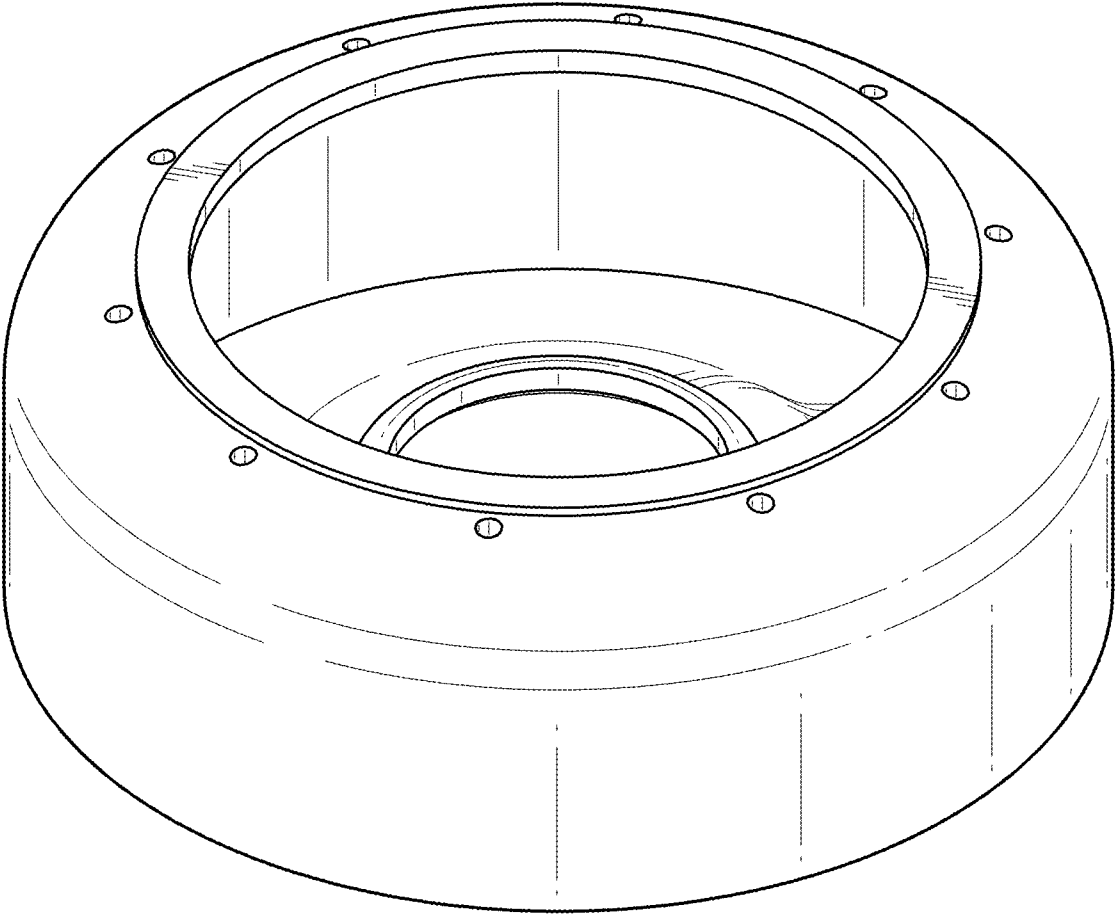
(56) **References Cited**  
U.S. PATENT DOCUMENTS  
4,722,299 A \* 2/1988 Mohr ..... A01K 15/025  
119/707  
6,055,773 A \* 5/2000 Yang ..... A01G 9/02  
119/61.1  
D540,451 S \* 4/2007 Emalfarb ..... D23/348  
D718,501 S \* 11/2014 Byrne ..... D30/160  
D769,148 S \* 10/2016 Siegel ..... D11/152  
D796,656 S \* 9/2017 Skillman ..... D23/343  
D814,345 S \* 4/2018 Siegel ..... D11/152

**1 Claim, 7 Drawing Sheets**

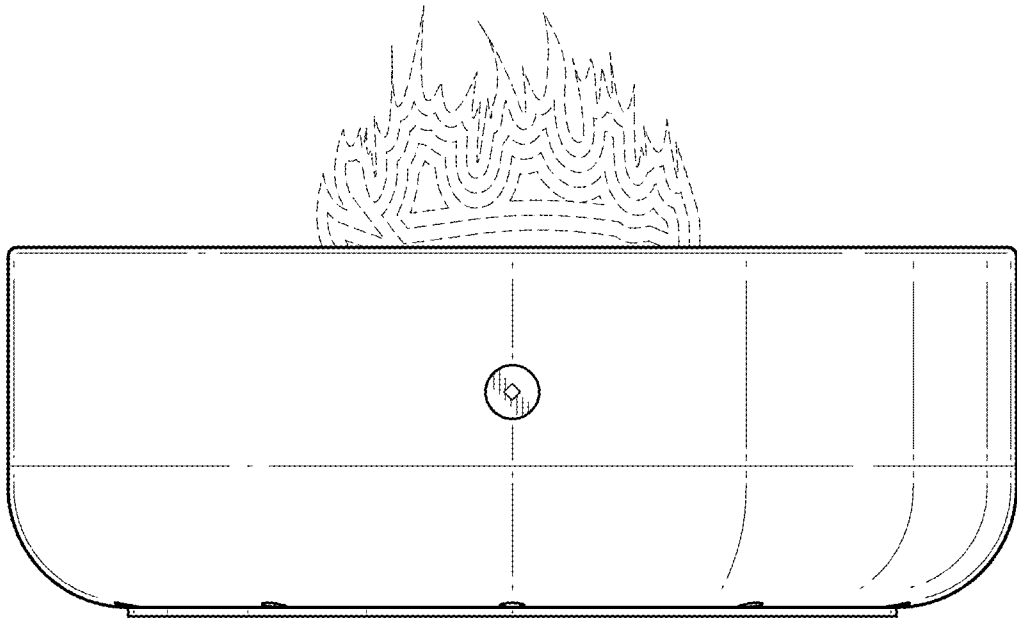




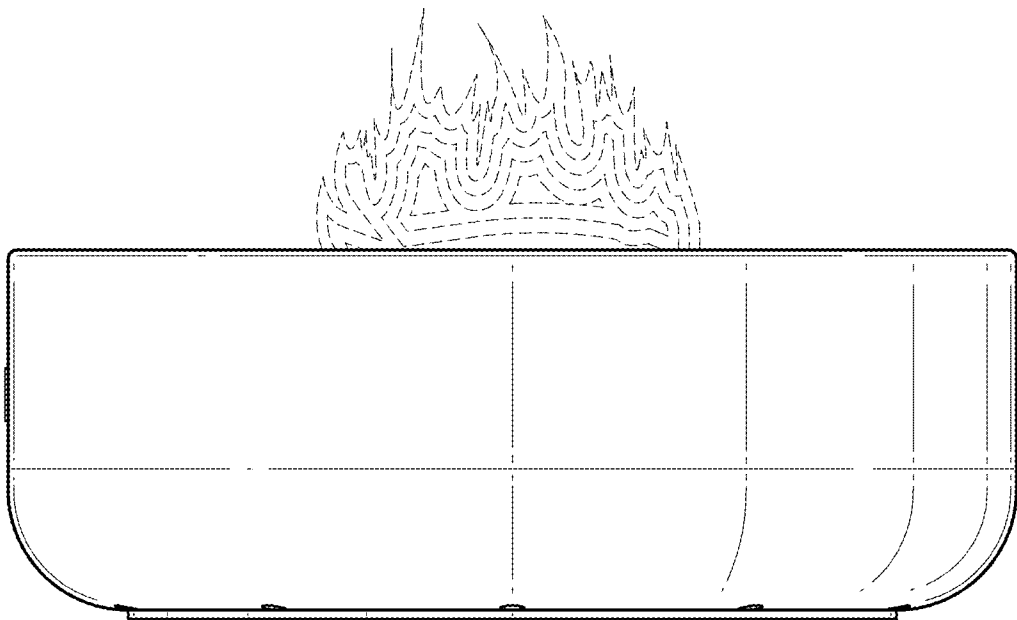
**FIG. 1**



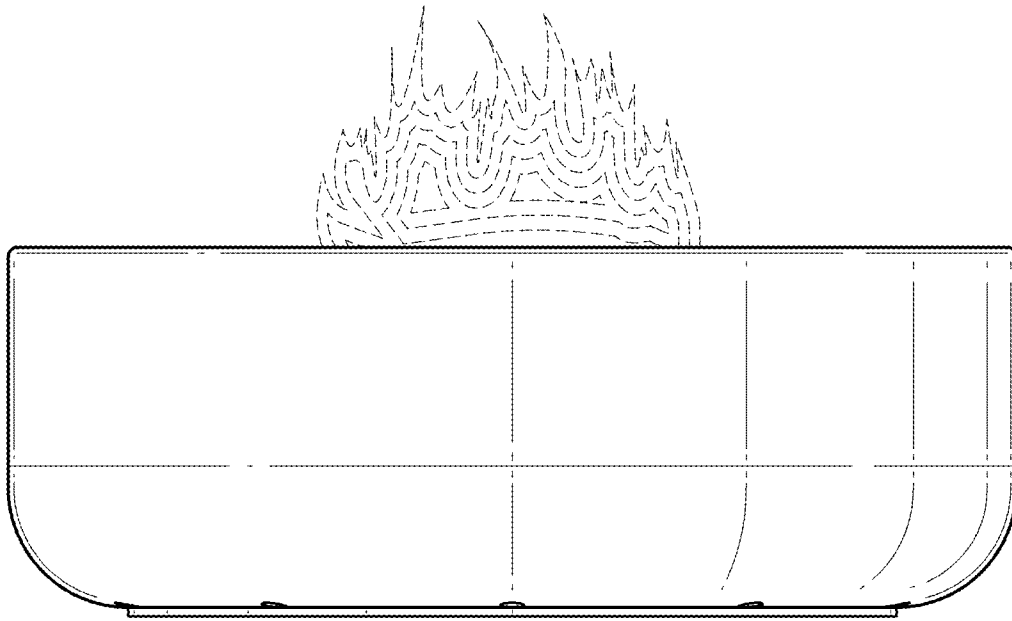
**FIG. 2**



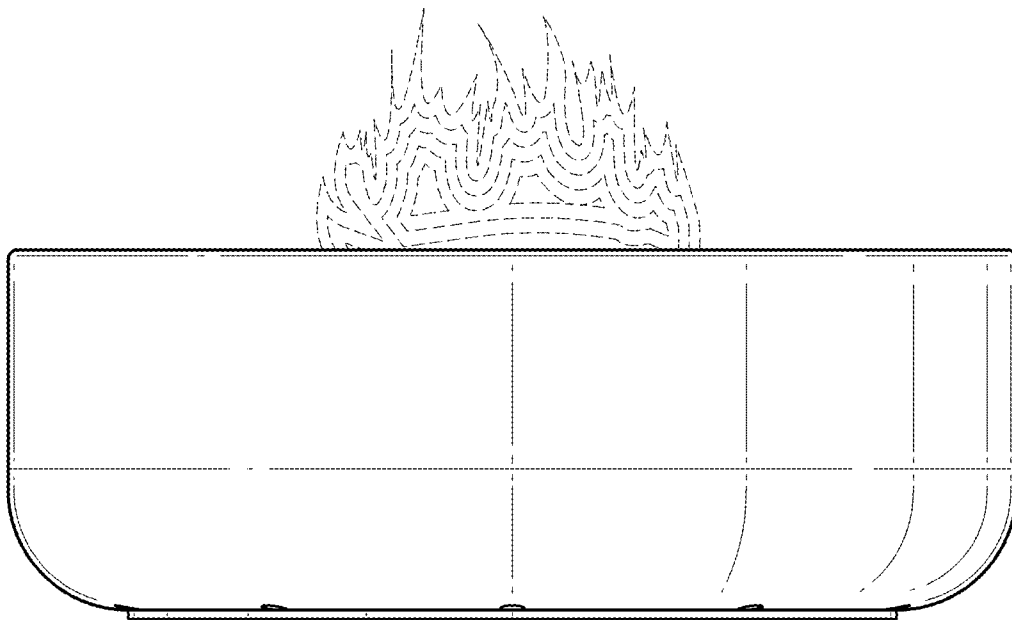
**FIG. 3**



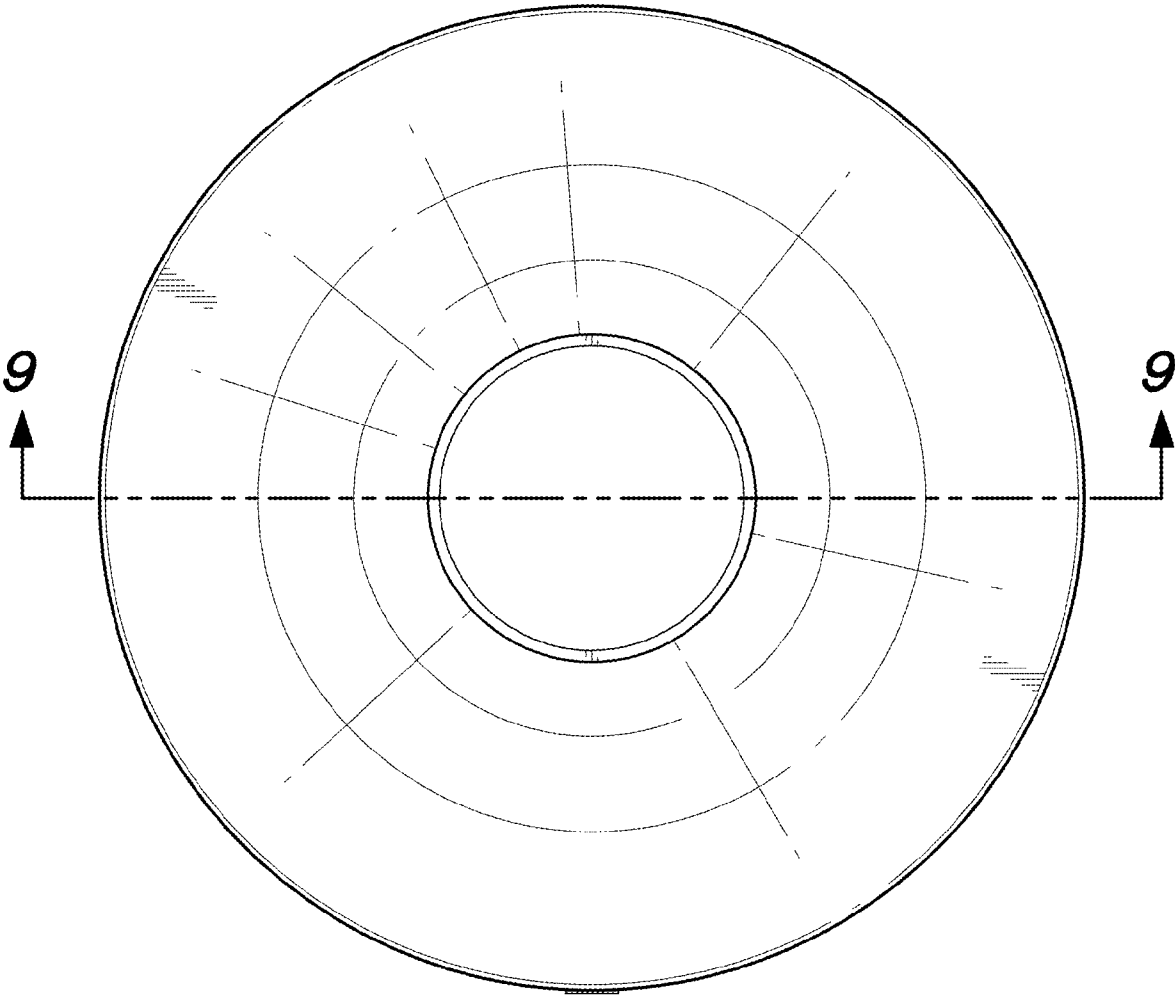
**FIG. 4**



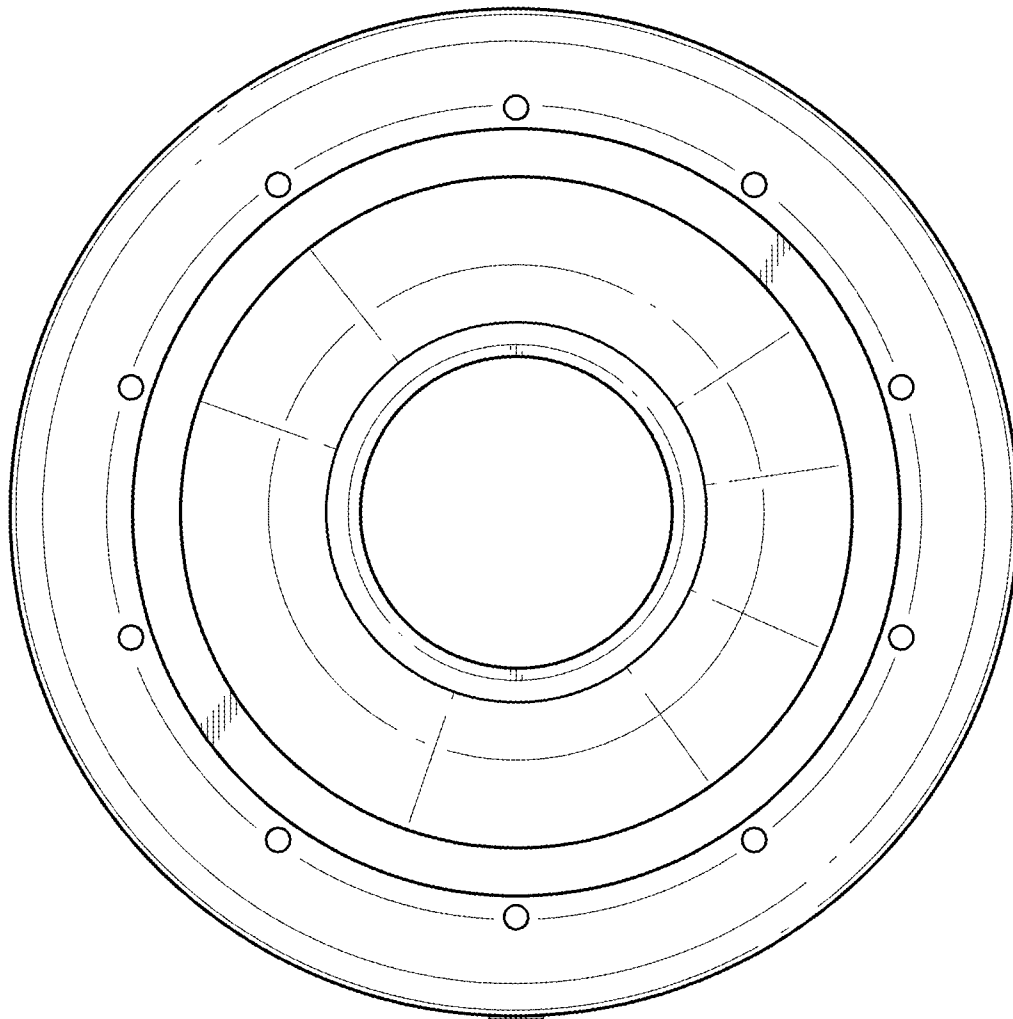
**FIG. 5**



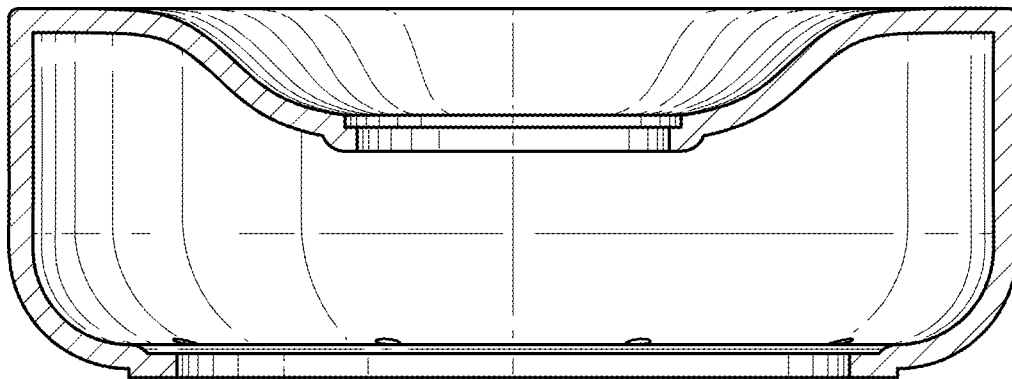
**FIG. 6**



**FIG. 7**



**FIG. 8**



**FIG. 9**