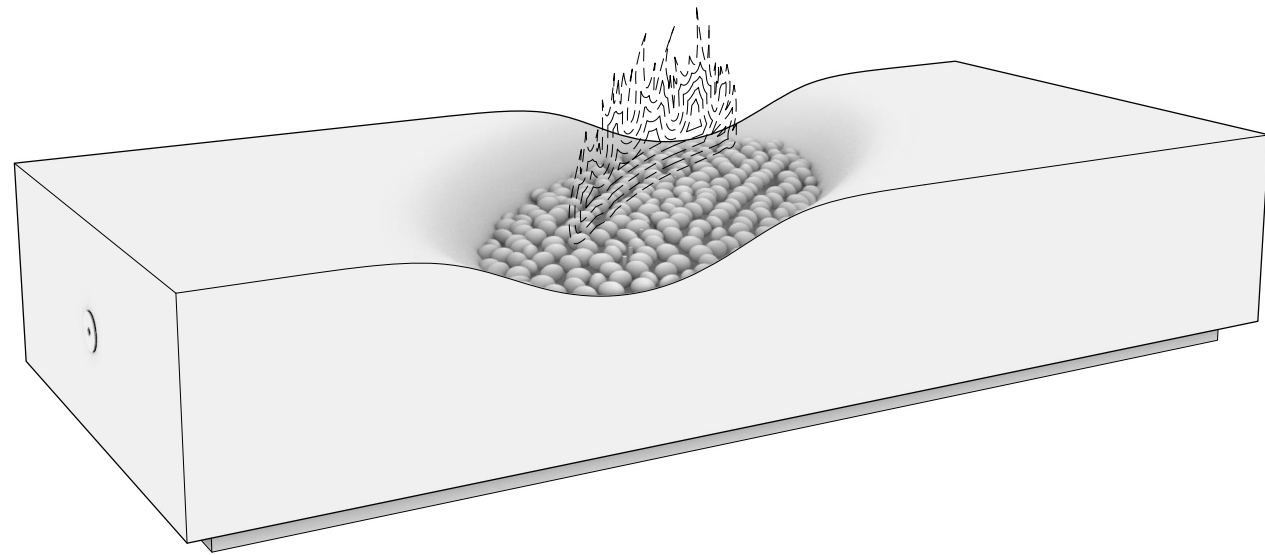
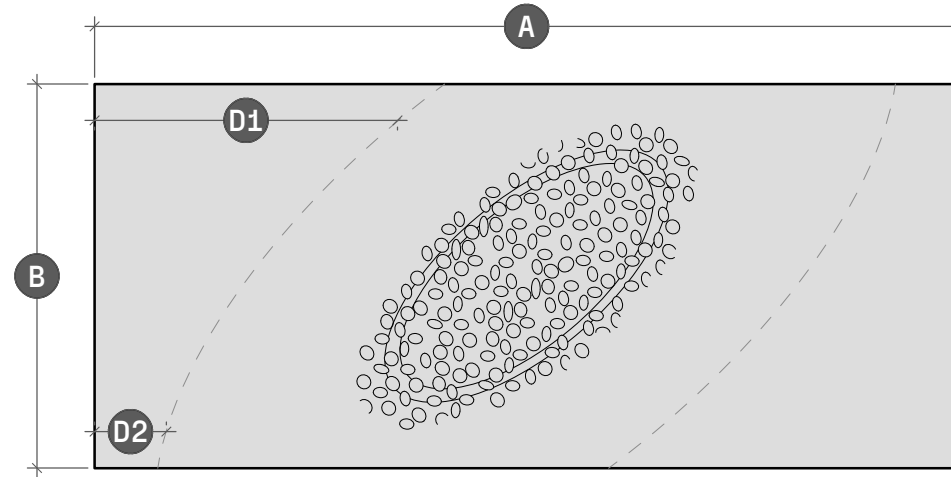


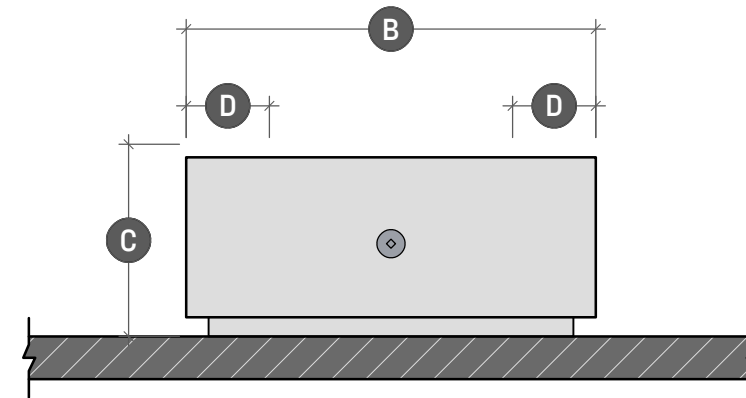
# PAOLO FIRE TABLE



PL.1.1 PERSPECTIVE VIEW  
SCALE: NA



PL.1.2 PLAN VIEW  
SCALE: 1" = 1' - 3"



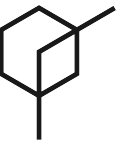
PL.1.3 SIDE ELEVATION  
SCALE: 1" = 1' - 3"

	PAOLO 62	PAOLO 72*	PAOLO 82	PAOLO 92
Length	A - 62"	A - 72"	A - 82"	A - 92"
Width	B - 32"	B - 32"	B - 32"	B - 32"
Height	C - 14"	C - 15"	C - 15"	C - 15"
Surface	D - 43">8"	D - 33">10"	D - 37">10"	D - 37">10"

## \* AVAILABLE IN QUICK SHIP

### PAOLO 72

Quick Ship available in Ivory, Pewter, Gull, Charcoal, and Inkwell colors. Quick Ship Orders come with Warming Trends burner and rolled lava infill.



## LUMACAST

3261 National Ave  
San Diego, CA 92113  
t: +1 888 710 1026  
www.lumacast.com

### PROJECT INFORMATION

PROJECT:  
LUMACAST FIRE TABLE  
PAOLO

DESIGNER:  
LUMACAST

### DRAWING INFORMATION

DRAWING PACKAGE:  
2D SHOP DRAWINGS  
SHEET CONTENTS:  
COVER SHEET

### MORE INFORMATION



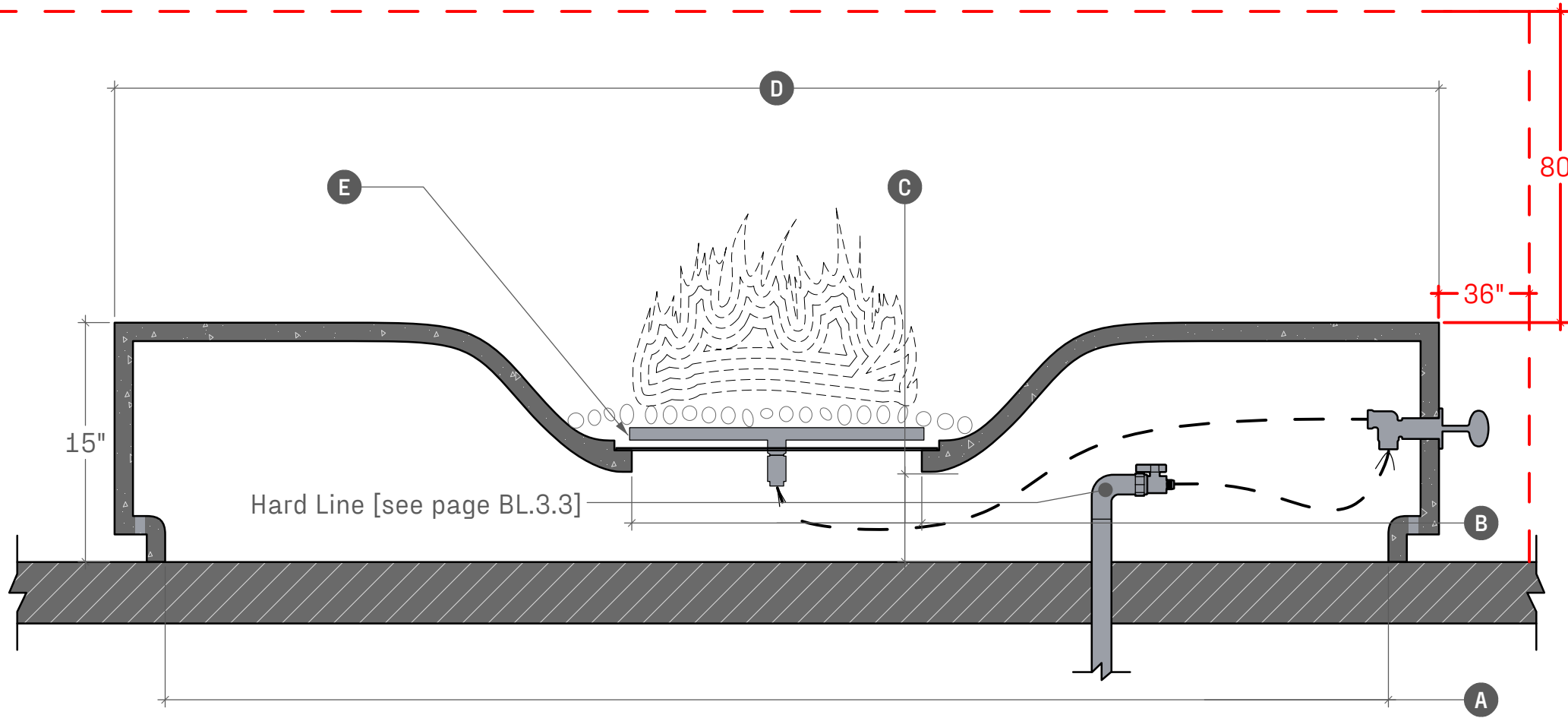
SCAN TO LEARN MORE

AUTHOR AUTHOR  
EGI 09/23

PL.1

SHEET NO

**MINIMUM CLEARANCES TO COMBUSTIBLES**



PL.2.1 SECTION DETAIL  
SCALE: 1" = 0' - 8"

**WARNINGS**

FOR OUTDOOR USE ONLY

POTENTIAL CARBON MONOXIDE HAZARD

Do not store or use flammable liquids in the vicinity of this product

To be installed by licensed plumber or contractor

**TYPICAL CLEARANCES**

36" of clearance from the side elevations of the fire table

80" of clearance from the top surface of the fire table

**NATURAL GAS SUPPLY**

Ensure that the service supplying the fire feature is fitted with a positioned shut off valve that is easily accessible

**SUPPLY PRESSURE**

Minimum - 3.5" WC

Normal - 7.0" WC

Maximum - 14.0" WC (1/2psi)

---

Check with local inspector if any further specifications are required for permitted installations

	PAOLO 62	PAOLO 72*	PAOLO 82	PAOLO 92	
<b>Opening at Base</b>	A - 46" x 26"	A - 56" x 26"	A - 66" x 26"	A - 76" x 26"	
<b>Burner Pan Access</b>	B - 36" x 10"	B - 46" x 10"	B - 56" x 10"	B - 66" x 10"	
<b>Burner Pan Height</b>	C - 4 <sup>3</sup> / <sub>4</sub> "	C - 4 <sup>3</sup> / <sub>4</sub> "	C - 4 <sup>3</sup> / <sub>4</sub> "	C - 4 <sup>3</sup> / <sub>4</sub> "	
<b>Length</b>	D - 62" x 32"	D - 72" x 32"	D - 82" x 32"	D - 92" x 32"	
<b>Burner Options</b>	E ---	E ---	E ---	E ---	
Stainless Steel Burner	66,000 BTU	75,000 BTU	85,000 BTU	95,000 BTU	
Warming Trands Burner	130,000 BTU*	150,000 BTU*	170,000 BTU*	190,000 BTU	
<b>Crated Dimensions</b>	70"x33"x23"	75"x35"x23"	85"x35"x23"	95"x35"x23"	
<b>Shipping Weight</b>	535 LBs	595 LBs	655 LBs	740 LBs	
<b>Shell Weight</b>	355 LBS	375 LBs	400 LBs	455 LBs	



**LUMACAST**

3261 National Ave  
San Diego, CA 92113  
t: +1 888 710 1026  
www.lumacast.com

**PROJECT INFORMATION**

PROJECT:  
LUMACAST FIRE TABLE  
PAOLO

DESIGNER:  
LUMACAST

**DRAWING INFORMATION**

DRAWING PACKAGE:  
2D SHOP DRAWINGS  
SHEET CONTENTS:  
SPECIFICATIONS

**MORE INFORMATION**

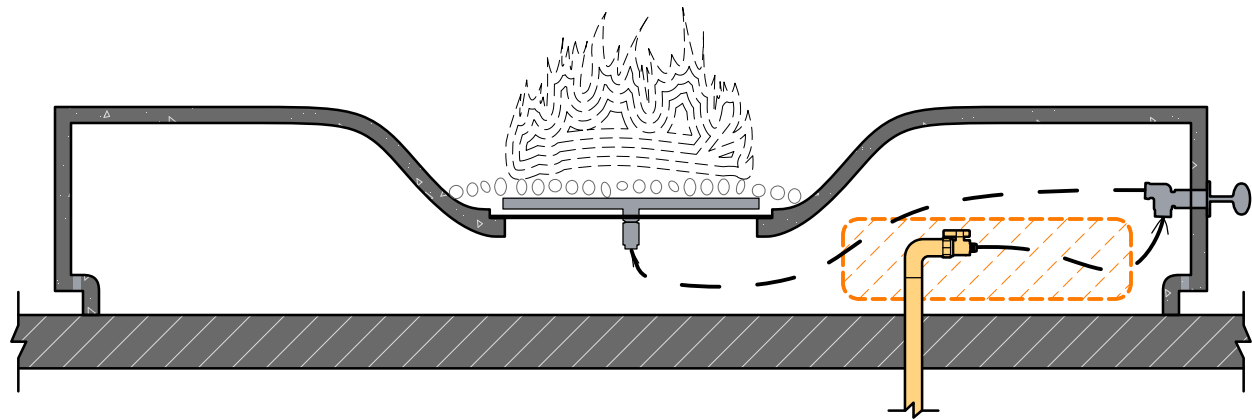


SCAN TO LEARN MORE

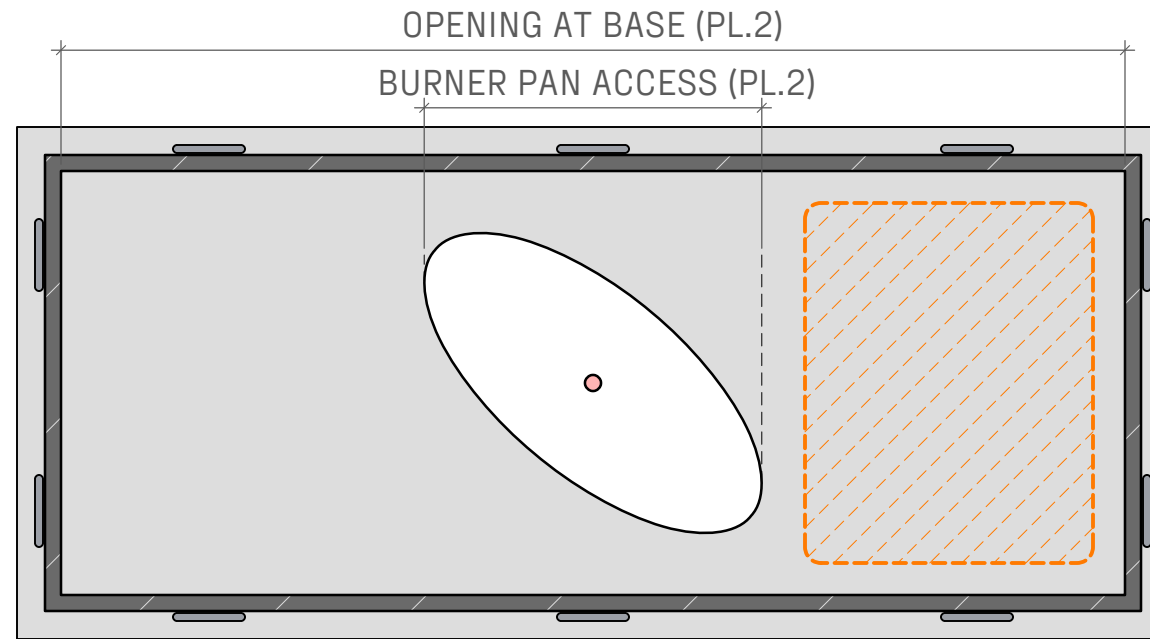
AUTHOR AUTHOR  
EGI 09/23

**PL.2**

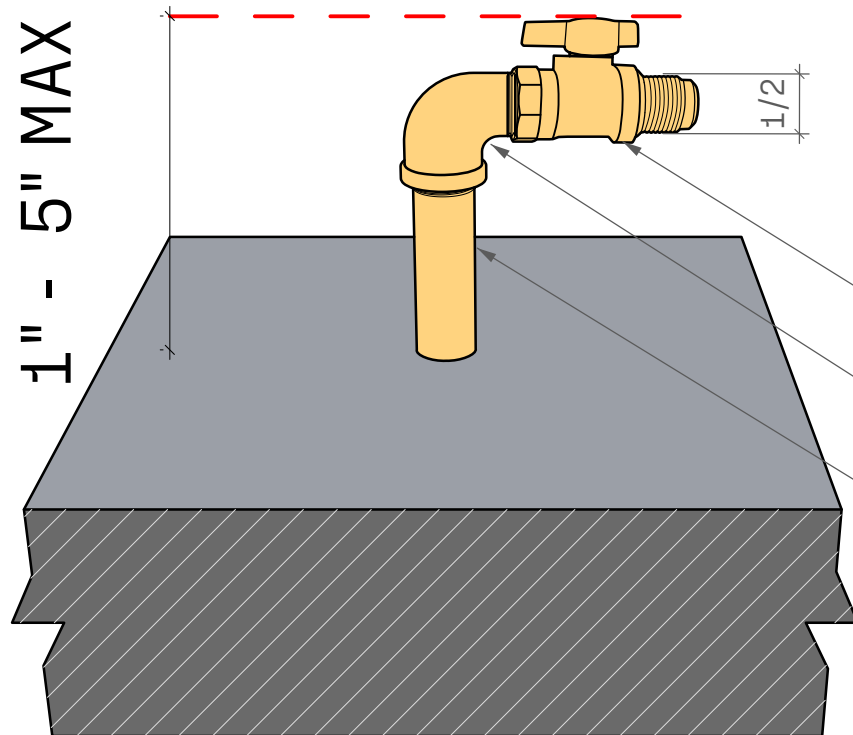
SHEET NO



PL.3.1 SIDE SECTION  
SCALE: 1" = 1' - 0"



PL.3.2 PLAN VIEW  
SCALE: 1" = 1' - 0"



PL.3.3 PERSPECTIVE  
SCALE: n/a

- BRASS FNPT X FLARE GAS BALL VALVE: 1/2" STREET ELBOW
- GALVANIZED NIPPLE 3/4" - 1" DEPENDING ON BTU SEE PLUMBER

**PLUMBING HARD LINE**

For successful installation, hardline stub up should be capped off between 1" and 5" off finished floor.

Lumacast White Glove Delivery and Installation can only be done on IPS Piping

**PROJECT INFORMATION**

PROJECT:  
LUMACAST FIRE TABLE  
PAOLO

DESIGNER:  
LUMACAST

**DRAWING INFORMATION**

DRAWING PACKAGE:  
2D SHOP DRAWINGS  
SHEET CONTENTS:  
HARDLINE DIAGRAM

**MORE INFORMATION**



SCAN TO LEARN MORE

AUTHOR	AUTHOR
EGI	09/23