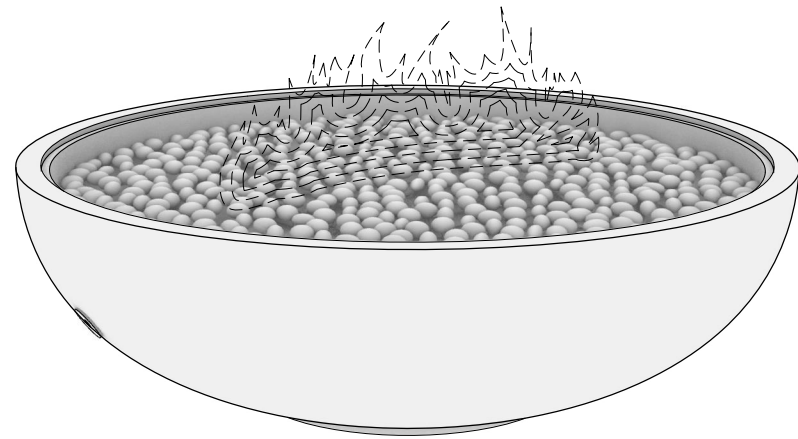
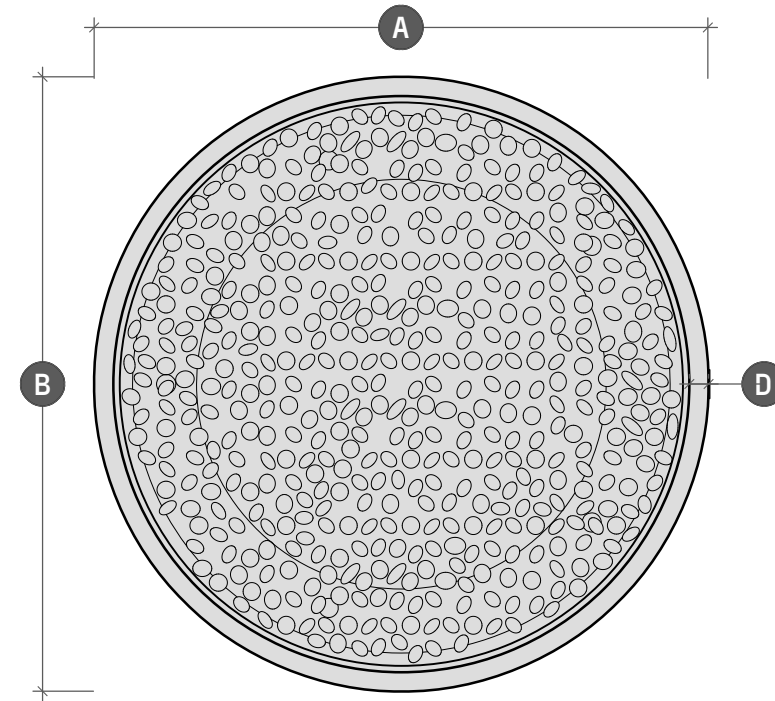


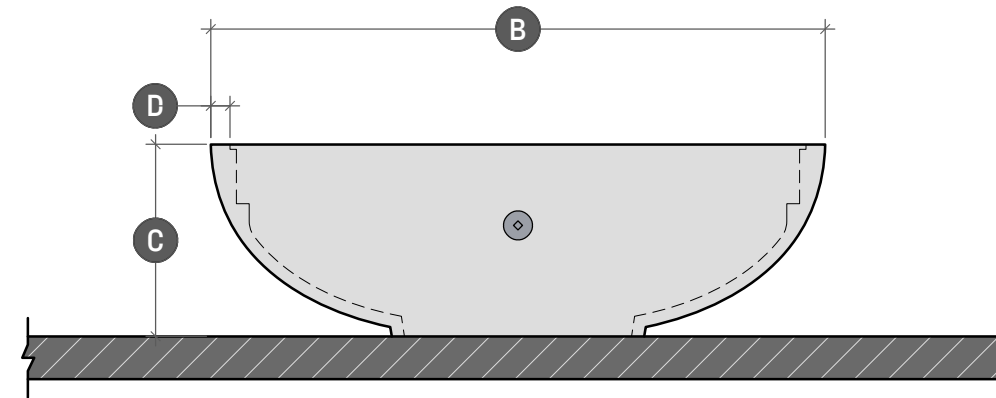
OVA slim FIRE TABLE



OV.s.1.1 PERSPECTIVE VIEW
SCALE: NA

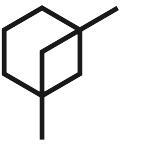


OV.s.1.2 PLAN VIEW
SCALE: 1" = 1' - 3"



OV.s.1.3 SIDE ELEVATION
SCALE: 1" = 1' - 3"

	OVA slim 32*	OVA slim 36*	OVA slim 42*	OVA slim 48*
Length	A - 32"	A - 36"	A - 42"	A - 48"
Width	B - 32"	B - 36"	B - 42"	B - 48"
Height	C - 15"	C - 15"	C - 15"	C - 15"
Surface	D - 1 1/2"	D - 1 1/2"	D - 1 1/2"	D - 1 1/2"



LUMACAST

3261 National Ave
San Diego, CA 92113
t: +1 888 710 1026
www.lumacast.com

PROJECT INFORMATION

PROJECT:
LUMACAST FIRE TABLE
OVA slim

DESIGNER:
LUMACAST

DRAWING INFORMATION

DRAWING PACKAGE:
2D SHOP DRAWINGS
SHEET CONTENTS:
COVER SHEET

MORE INFORMATION



SCAN TO LEARN MORE

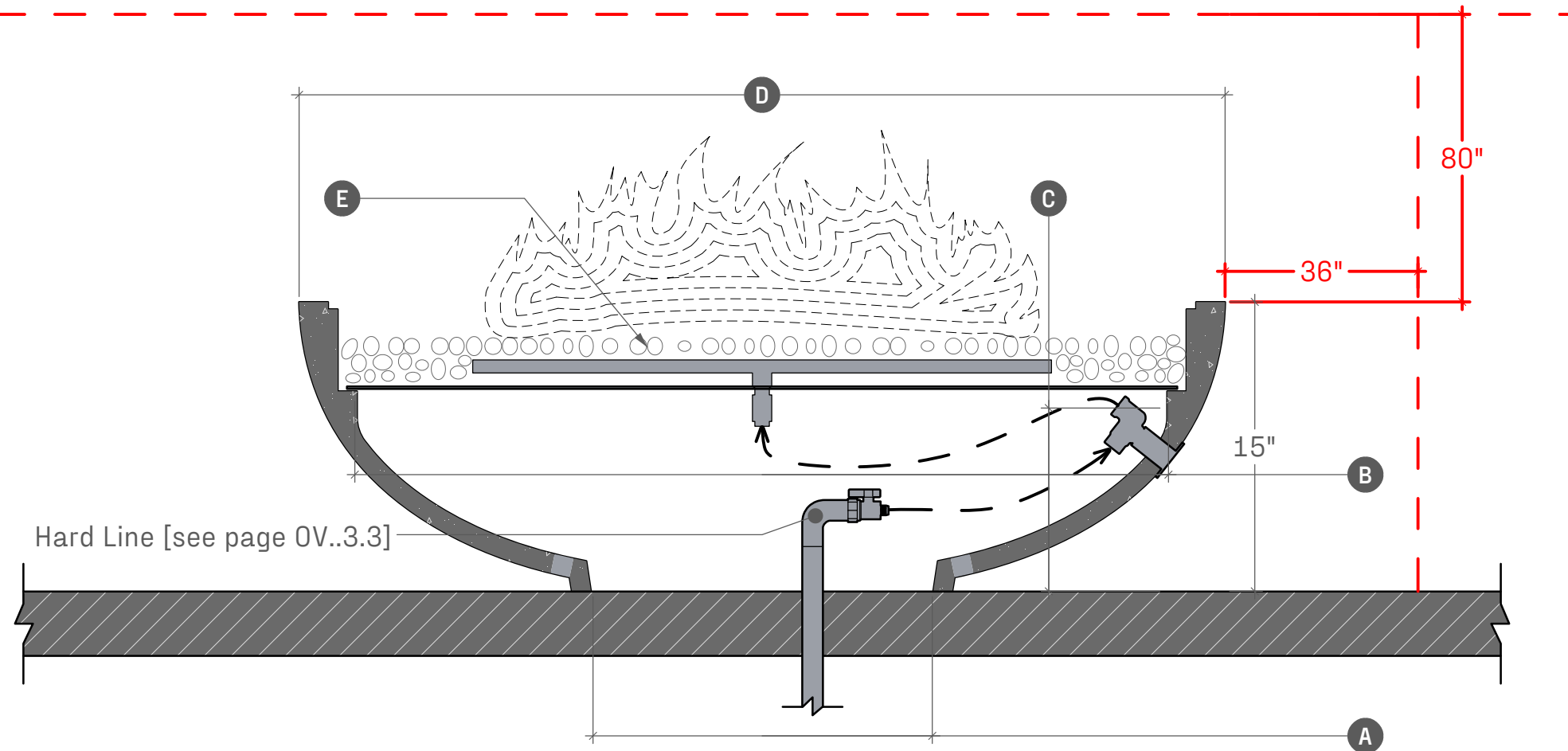
AUTHOR AUTHOR
EGI 09/23

OV.s

.1

SHEET NO

MINIMUM CLEARANCES TO COMBUSTIBLES



OV.s.2.1 SECTION DETAIL
SCALE: 1" = 0' - 8"

	OVA slim 32	OVA slim 36*	OVA slim 42	OVA slim 48
Opening at Base	A - 8"	A - 10"	A - 12"	A - 16"
Burner Pan Access	B - 16"	B - 20"	B - 26"	B - 32"
Burner Pan Height	C - 9"	C - 9"	C - 9"	C - 9"
Length	D - 32"	D - 36"	D - 42"	D - 48"
Burner Options	E - - -	E - - -	E - - -	E - - -
Stainless Steel Burner	96,000 BTU	120,000 BTU*	396,000 BTU	296,000 BTU
Warming Trands Burner	120,000 BTU	140,000 BTU*	290,000 BTU	350,000 BTU
Crated Dimensions	35"x35"x23"	39"x39"x23"	45"x45"x23"	51"x51"x23"
Shipping Weight	- 420 LBs	- 515 LBs	- 700 LBs	- 880 LBs
Shell Weight	- 170 LBS	- 190 LBS	- 235 LBs	- 270 LBs

WARNINGS

FOR OUTDOOR USE ONLY

POTENTIAL CAROV. MONOXIDE HAZARD

Do not store or use flammable liquids in the vicinity of this product

To be installed by licensed plumber or contractor

TYPICAL CLEARANCES

36" of clearance from the side elevations of the fire table

80" of clearance from the top surface of the fire table

NATURAL GAS SUPPLY

Ensure that the service supplying the fire feature is fitted with a positioned shut off valve that is easily accessible

SUPPLY PRESSURE

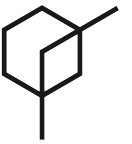
Minimum - 3.5" WC

Normal - 7.0" WC

Maximum - 14.0" WC (1/2psi)

- - -

Check with local inspector if any further specifications are required for permitted installations



LUMACAST

3261 National Ave
San Diego, CA 92113
t: +1 888 710 1026
www.lumacast.com

PROJECT INFORMATION

PROJECT:
LUMACAST FIRE TABLE
OVA slim

DESIGNER:
LUMACAST

DRAWING INFORMATION

DRAWING PACKAGE:
2D SHOP DRAWINGS
SHEET CONTENTS:
SPECIFICATIONS

MORE INFORMATION



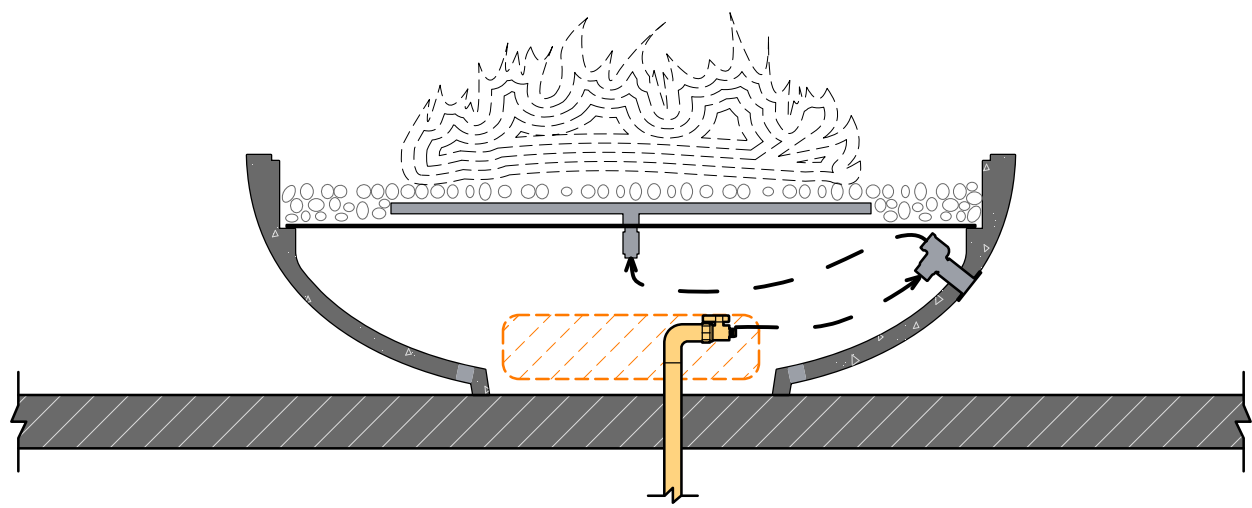
SCAN TO LEARN MORE

AUTHOR AUTHOR
EGI 09/23

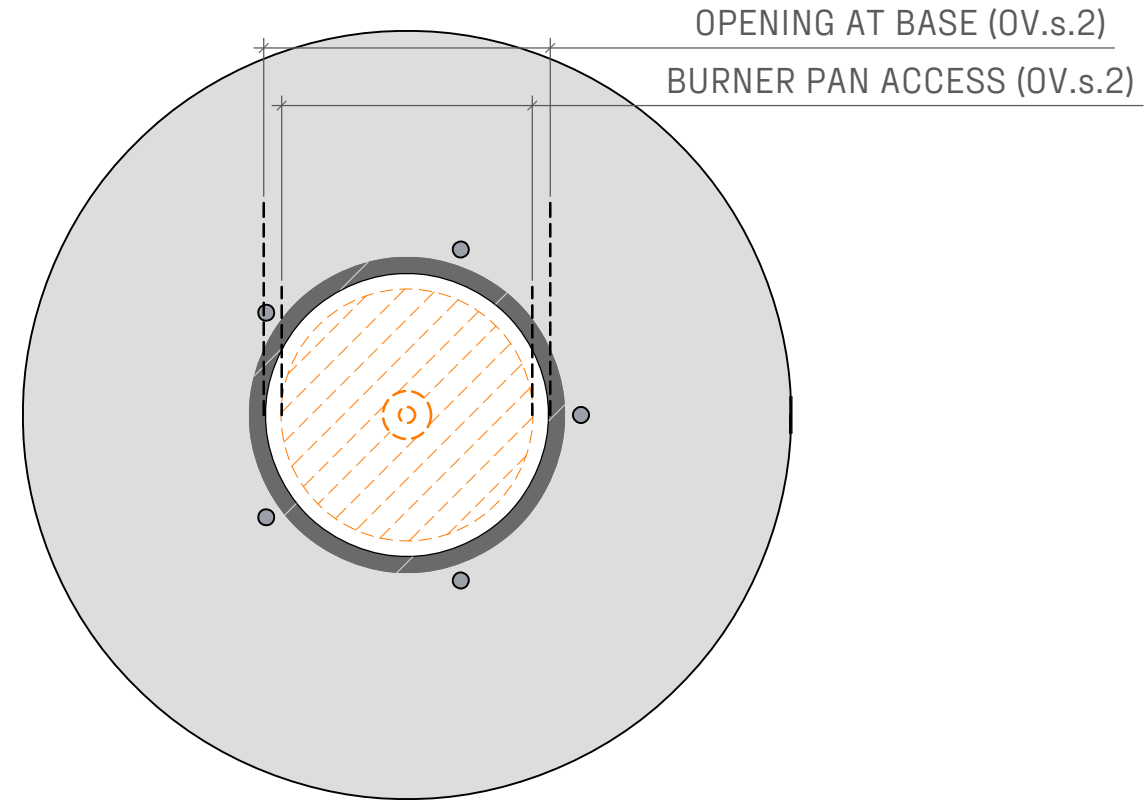
OV.s

.2

SHEET NO



OV.s.3.1 SIDE SECTION
SCALE: 1" = 1' - 0"



OV.s.3.2 PLAN VIEW
SCALE: 1" = 1' - 0"

OPENING AT BASE (OV.s.2)
BURNER PAN ACCESS (OV.s.2)



LUMACAST

3261 National Ave
San Diego, CA 92113
t: +1 888 710 1026
www.lumacast.com

PROJECT INFORMATION

PROJECT:
LUMACAST FIRE TABLE
OVA slim

DESIGNER:
LUMACAST

DRAWING INFORMATION

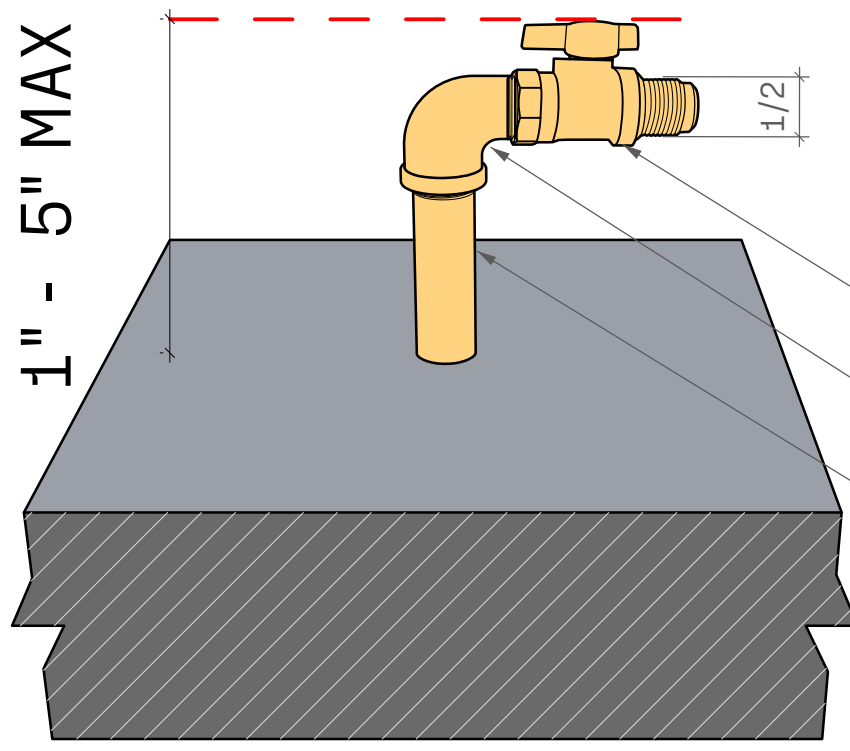
DRAWING PACKAGE:
2D SHOP DRAWINGS

SHEET CONTENTS:
HARDLINE DIAGRAM

MORE INFORMATION



SCAN TO LEARN MORE



OV.s.3.3 PERSPECTIVE
SCALE: n/a

- BRASS FNPT X FLARE GAS BALL VALVE: 1/2"
- STREET ELOV.
- GALVANIZED NIPPLE 3/4" - 1" DEPENDING ON BTU SEE PLUMBER

PLUMBING HARD LINE

For successful installation, hardline stub up should be capped off between 1" and 5" off finished floor.

Lumacast White Glove Delivery and Installation can only be done on IPS Piping

AUTHOR	AUTHOR
EGI	09/23

OV.s
.3
SHEET NO