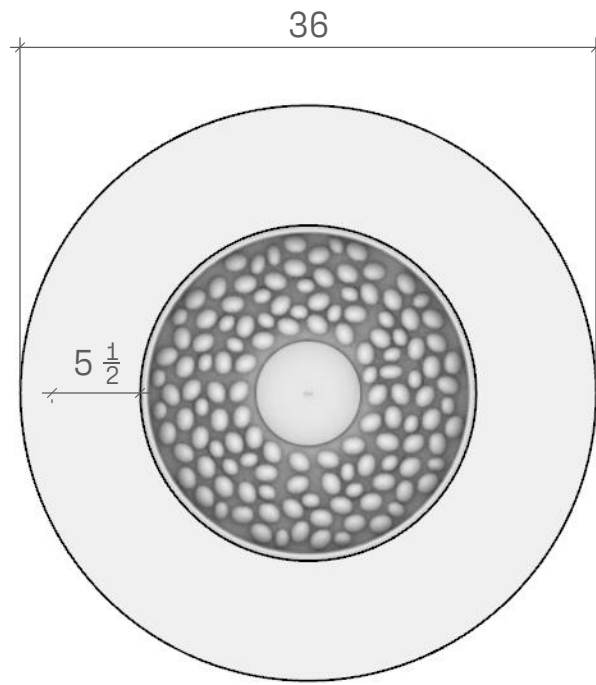
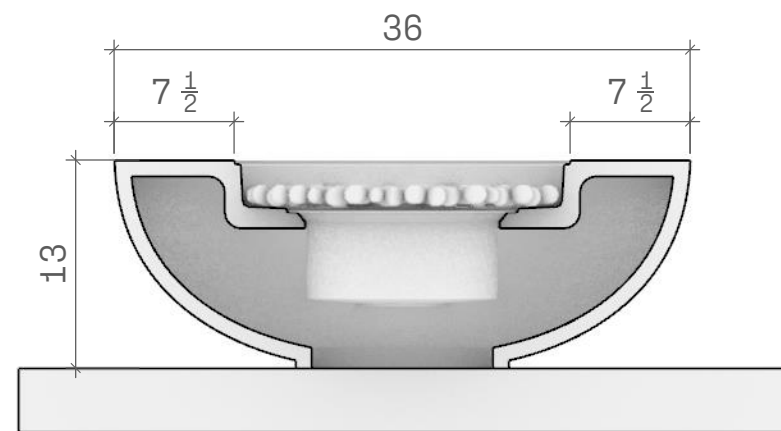


OVA eco

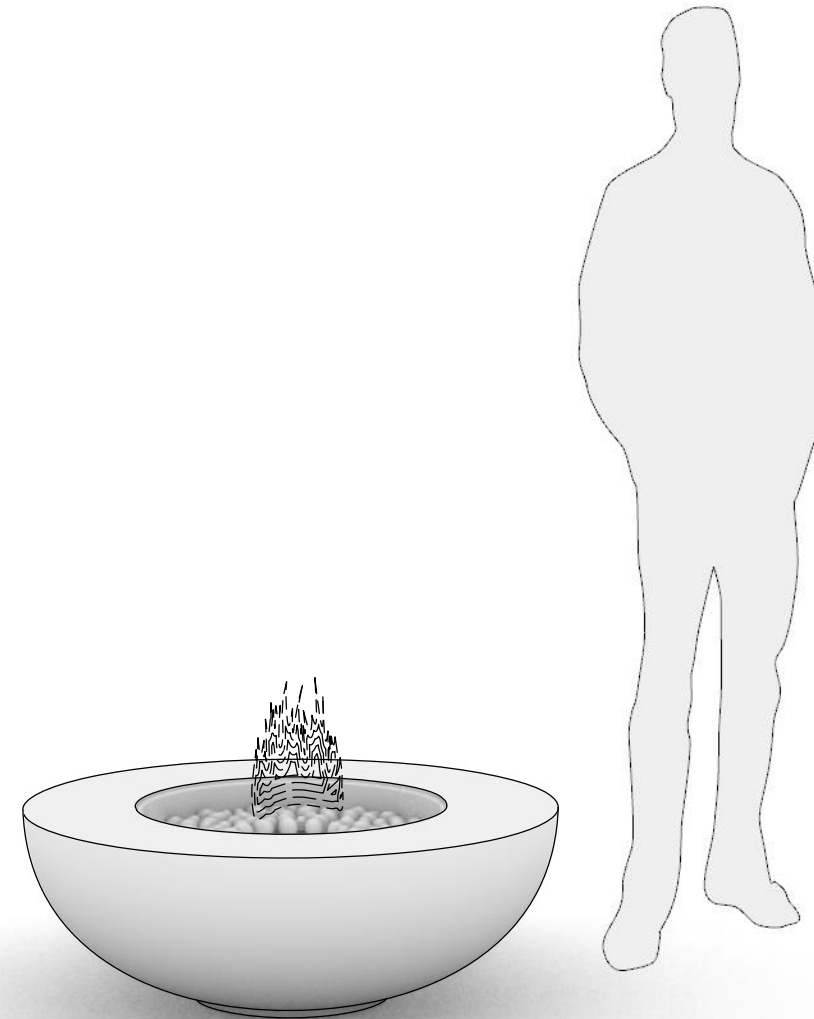
36 x 13



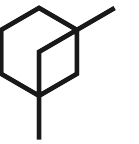
01 PLAN VIEW
SCALE: 1" = 1' - 0"



02 SIDE SECTION
SCALE: 1" = 1' - 0"



03 PERSPECTIVE VIEW
SCALE: NA



LUMACAST

3261 National Ave
San Diego, CA 92113
t: +1 888 710 1026
www.lumacast.com

PROJECT INFORMATION

PROJECT:
LUMACAST FIRE TABLE
OVA eco

DESIGNER:
LUMACAST

DRAWING INFORMATION

DRAWING PACKAGE:
2D SHOP DRAWINGS
SHEET CONTENTS:
COVER SHEET

MORE INFORMATION



SCAN TO LEARN MORE

AUTHOR	AUTHOR
EGI	09/23

03.0

SHEET NO