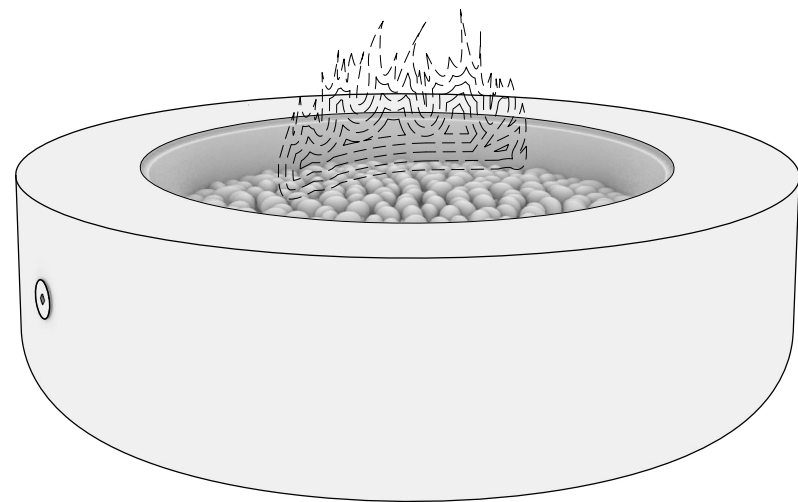
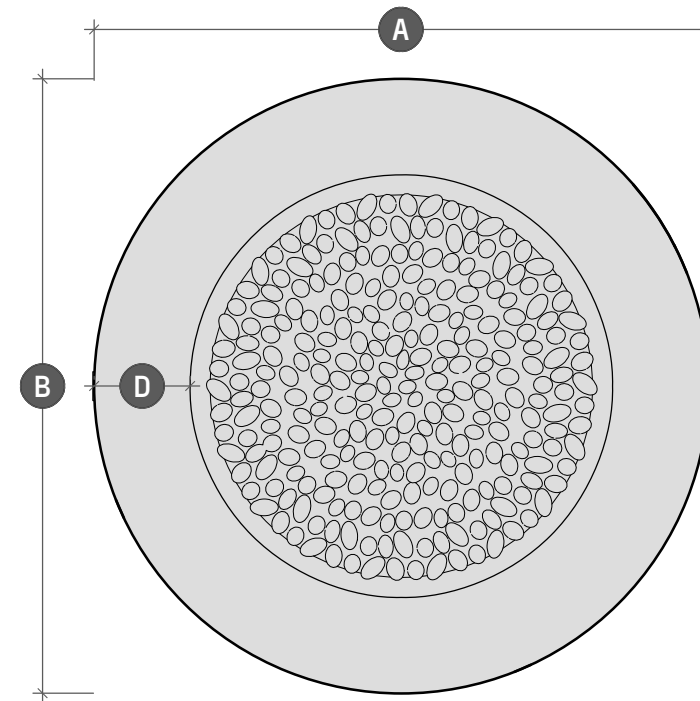


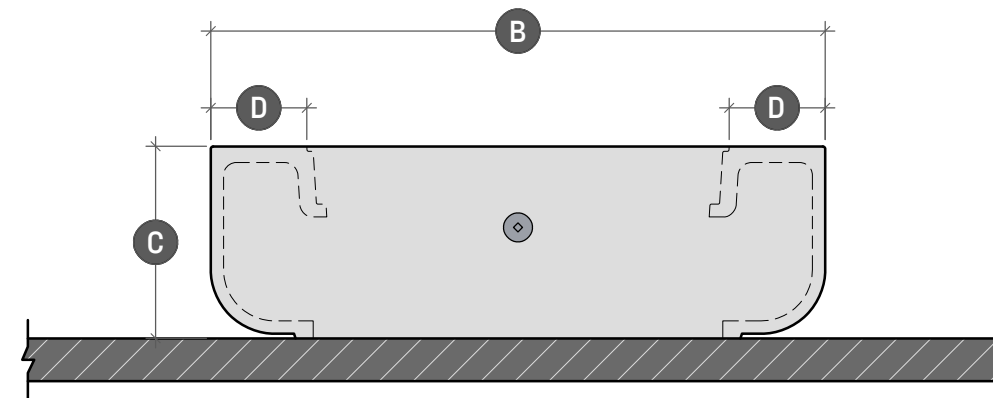
BOLA FIRE TABLE



BO.1.1 PERSPECTIVE VIEW
SCALE: NA



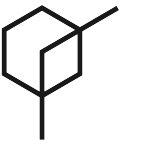
BO.1.2 PLAN VIEW
SCALE: 1" = 1' - 3"



BO.1.3 SIDE ELEVATION
SCALE: 1" = 1' - 3"

	BOLA 36*	BOLA 42*	BOLA 48	BOLA 52	BOLA 62
Length	A - 36"	A - 42"	A - 48"	A - 52"	A - 62"
Width	B - 36"	B - 42"	B - 48"	B - 52"	B - 62"
Height	C - 13 15"	C - 13 15"	C - 15"	C - 15"	C - 16"
Surface	D - 5 1/2"	D - 6 1/2"	D - 7 1/2"	D - 9 1/2"	D - 12 1/2"

AVAILABLE IN QUICK SHIP	*AVAILABLE IN STANDARD OR low
BOLA 36 low	Standard height is 15" Low height is 13"
BOLA 42	
BOLA 42 low	
BOLA 48	



LUMACAST

3261 National Ave
San Diego, CA 92113
t: +1 888 710 1026
www.lumacast.com

PROJECT INFORMATION

PROJECT:
LUMACAST FIRE TABLE
BOLA

DESIGNER:
LUMACAST

DRAWING INFORMATION

DRAWING PACKAGE:
2D SHOP DRAWINGS
SHEET CONTENTS:
COVER SHEET

MORE INFORMATION



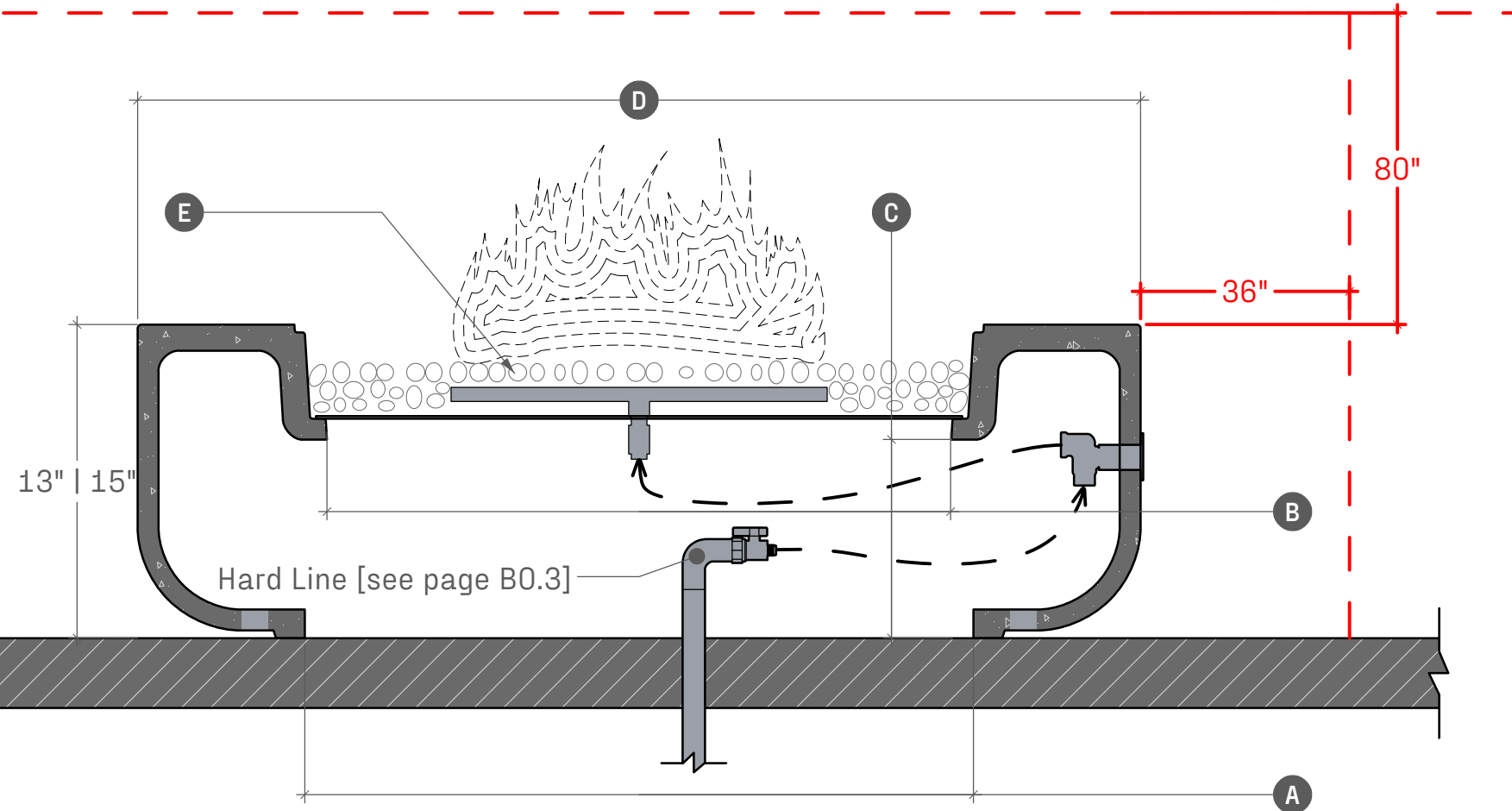
SCAN TO LEARN MORE

AUTHOR AUTHOR
EGI 10/23

BO.1

SHEET NO

MINIMUM CLEARANCES TO COMBUSTIBLES



B0.2.1 SECTION DETAIL
SCALE: 1" = 0' - 8"

	BOLA 36	BOLA 42	BOLA 48	BOLA 52	BOLA 62
Opening at Base	A - 20"	A - 26"	A - 32"	A - 36"	A - 46"
Burner Pan Access	B - 21"	B - 25"	B - 30"	B - 30"	B - 32"
Burner Pan Height	C - 10"	C - 10"	C - 10"	C - 10"	C - 11"
Length	D - 36"	D - 42"	D - 48"	D - 52"	D - 62"
Burner Options	E - - -	E - - -	E - - -	E - - -	E - - -
Stainless Steel Burner	88,000 BTU	95,000 BTU	150,000 BTU	150,000 BTU	290,000 BTU
Warming Trands Burner	120,000 BTU	140,000 BTU	180,000 BTU	180,000 BTU	320,000 BTU
Crated Dimensions	39"x39"x23"	45"x45"x23"	51"x51"x23"	56"x56"x23"	66"x66"x24"
Shipping Weight	- 450 LBs	- 580 LBs	- 725 LBs	- 725 LBs	- LBs
Shell Weight	- 230 LBS	- 280 LBs	- 335 LBs	- 375 LBs	- LBs

! WARNINGS !

FOR OUTDOOR USE ONLY

POTENTIAL CARBON MONOXIDE HAZARD

Do not store or use flammable liquids in the vicinity of this product

To be installed by licensed plumber or contractor

TYPICAL CLEARANCES

36" of clearance from the side elevations of the fire table

80" of clearance from the top surface of the fire table

NATURAL GAS SUPPLY

Ensure that the service supplying the fire feature is fitted with a positioned shut off valve that is easily accessible

SUPPLY PRESSURE

Minimum - 3.5" WC

Normal - 7.0" WC

Maximum - 14.0" WC (1/2psi)

- - -

Check with local inspector if any further specifications are required for permitted installations



LUMACAST

3261 National Ave
San Diego, CA 92113
t: +1 888 710 1026
www.lumacast.com

PROJECT INFORMATION

PROJECT:
LUMACAST FIRE TABLE
BOLA

DESIGNER:
LUMACAST

DRAWING INFORMATION

DRAWING PACKAGE:
2D SHOP DRAWINGS
SHEET CONTENTS:
SPECIFICATIONS

MORE INFORMATION

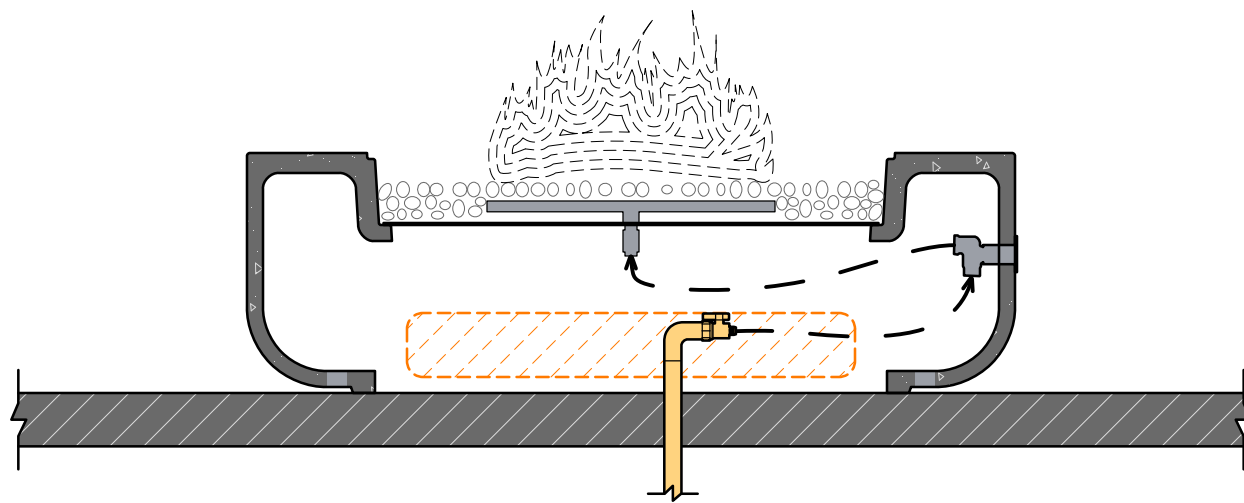


SCAN TO LEARN MORE

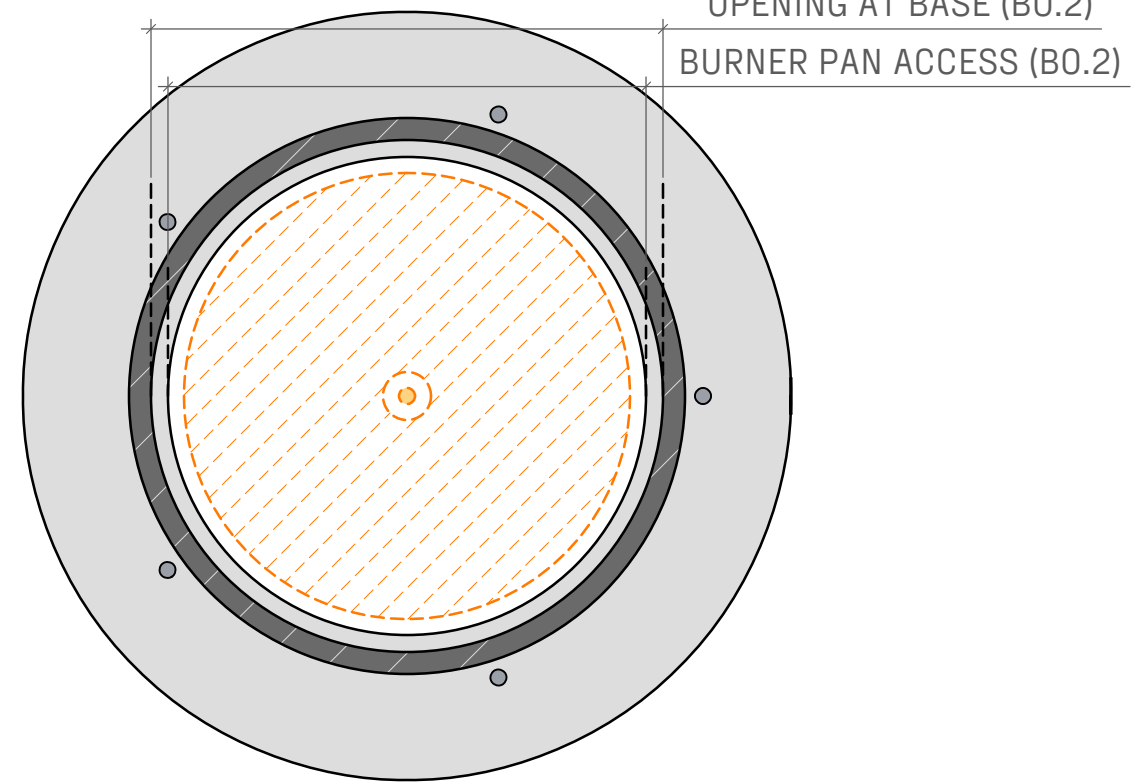
AUTHOR AUTHOR
EGI 10/23

B0.2

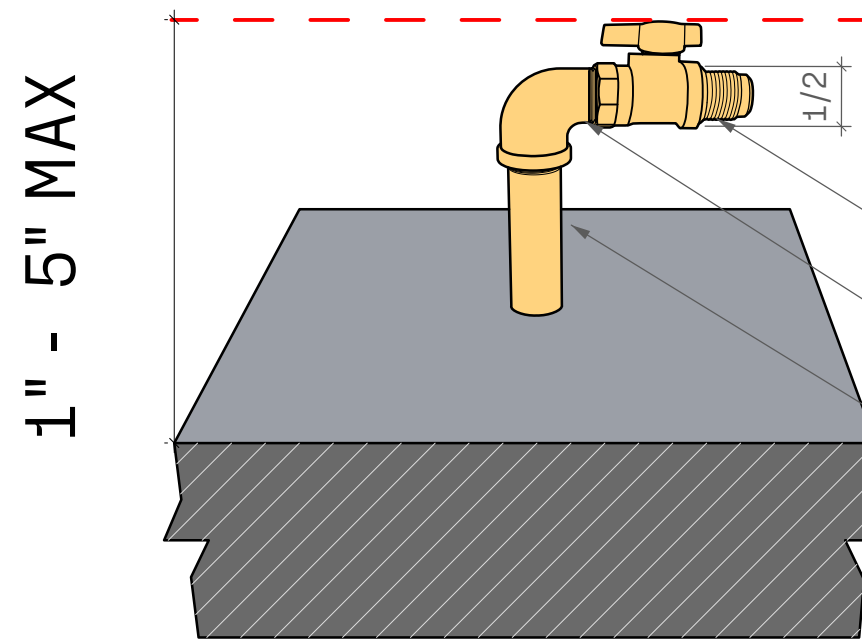
SHEET NO



B0.3.1 SIDE SECTION
SCALE: 1" = 1' - 0"



B0.3.2 PLAN VIEW
SCALE: 1" = 1' - 0"



B0.3.3 PERSPECTIVE
SCALE: n/a

- BRASS FNPT X FLARE GAS BALL VALVE: 1/2" STREET ELBOW
- GALVANIZED NIPPLE 3/4" - 1" DEPENDING ON BTU SEE PLUMBER

PLUMBING HARD LINE

For successful installation, hardline stub up should be capped off between 1" and 5" off finished floor.

Lumacast White Glove Delivery and Installation can only be done on IPS Piping



LUMACAST

3261 National Ave
San Diego, CA 92113
t: +1 888 710 1026
www.lumacast.com

PROJECT INFORMATION

PROJECT:
LUMACAST FIRE TABLE
BOLA

DESIGNER:
LUMACAST

DRAWING INFORMATION

DRAWING PACKAGE:
2D SHOP DRAWINGS
SHEET CONTENTS:
HARDLINE DIAGRAM

MORE INFORMATION



SCAN TO LEARN MORE

AUTHOR	AUTHOR
EGI	10/23