



US00D949304S

(12) **United States Design Patent** (10) **Patent No.:** **US D949,304 S**
Smith et al. (45) **Date of Patent:** **** Apr. 19, 2022**

- (54) **CONCRETE FIRE BOWL**
- (71) Applicants: **Zachary Alan Smith**, San Diego, CA (US); **Emilio Gaetano Ingrassi**, San Diego, CA (US)
- (72) Inventors: **Zachary Alan Smith**, San Diego, CA (US); **Emilio Gaetano Ingrassi**, San Diego, CA (US)
- (73) Assignee: **Zachary Alan Designs LLC**, San Diego, CA (US)

D914,175 S * 3/2021 Smith D23/343
 D914,176 S * 3/2021 Smith D23/343
 2010/0062382 A1 * 3/2010 Carey Stachowski F23D 3/08
 431/144
 2019/0285274 A1 * 9/2019 Chen H03F 3/68

(**) Term: **15 Years**

(21) Appl. No.: **29/754,808**

(22) Filed: **Oct. 14, 2020**

(51) **LOC (13) Cl.** **23-03**

(52) **U.S. Cl.**
USPC **D23/343**

(58) **Field of Classification Search**
 USPC D23/332, 314, 343, 348, 350, 346, 336,
 D23/341, 342, 345; D7/332-337,
 D7/402-405, 352; D8/400, 499, 356,
 D8/352; D13/156; D11/143, 152, 154,
 D11/155, 156, 164
 CPC F24C 1/16; F24C 5/00; F24C 3/14; A47J
 33/00; A47J 37/0763; A47J 37/07; F24B
 1/18; F24B 1/182; F24B 1/1808; F24B
 1/181; F24B 1/195; F24B 1/191
 See application file for complete search history.

(56) **References Cited**

U.S. PATENT DOCUMENTS

7,799,102 B2 * 9/2010 Weinberger F23D 5/04
 44/541
 D822,186 S * 7/2018 Pontillas D23/332
 D849,903 S * 5/2019 Pontillas D23/332
 D857,863 S * 8/2019 Pontillas D23/332

OTHER PUBLICATIONS

Amazon Modern Outdoor Fire Pit [* cited by examiner](http://www.amazon.com/Century-Modern-Outdoor-Backyard-Fireplace/dp/B07KSTT2Y9/ref=sr_1_3_sspa?keywords=modern+concrete+fire+pit&qid=1638378254&sr=8-3-spons&psc=1&smid=A32C4DMSW68KQA&spLa=ZW5jcnlwdGVkUXVhbGlmaWVyPUEyWERSMUVRMUJZRjhWJmVuY3J5cHRIZ (Year: 2019).*</p>
</div>
<div data-bbox=)

Primary Examiner — Ania Aman

(74) *Attorney, Agent, or Firm* — Lewis Kohn & Walker LLP; Kent M. Walker; Kari Moyer-Henry

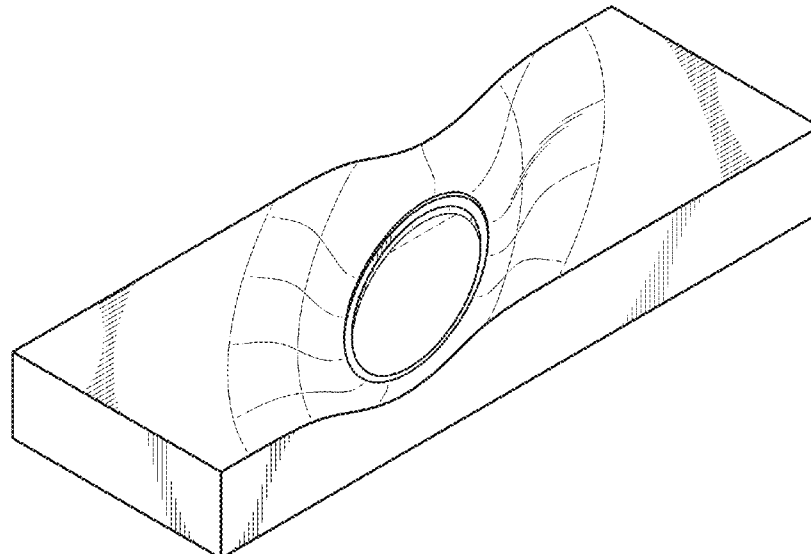
(57) **CLAIM**

The ornamental design for a concrete fire bowl, as shown and described.

DESCRIPTION

FIG. 1 is a top perspective view of the concrete fire bowl embodied in the present invention;
 FIG. 2 is a top view of the concrete fire bowl from FIG. 1;
 FIG. 3 is a bottom view of the concrete fire bowl from FIG. 1;
 FIG. 4 is a side view of the concrete fire bowl from FIG. 1;
 FIG. 5 is an end view of the concrete fire bowl of FIG. 1; and,
 FIG. 6 is a side perspective view of the concrete fire bowl of FIG. 1.
 The broken lines shown in FIGS. 1 and 3 are included for the purpose of illustrating portions of the article that form no part of the claimed design. The broken lines shown in FIG. 6 are included for the purpose of illustrating environmental context and forms no part of the claimed design.

1 Claim, 4 Drawing Sheets



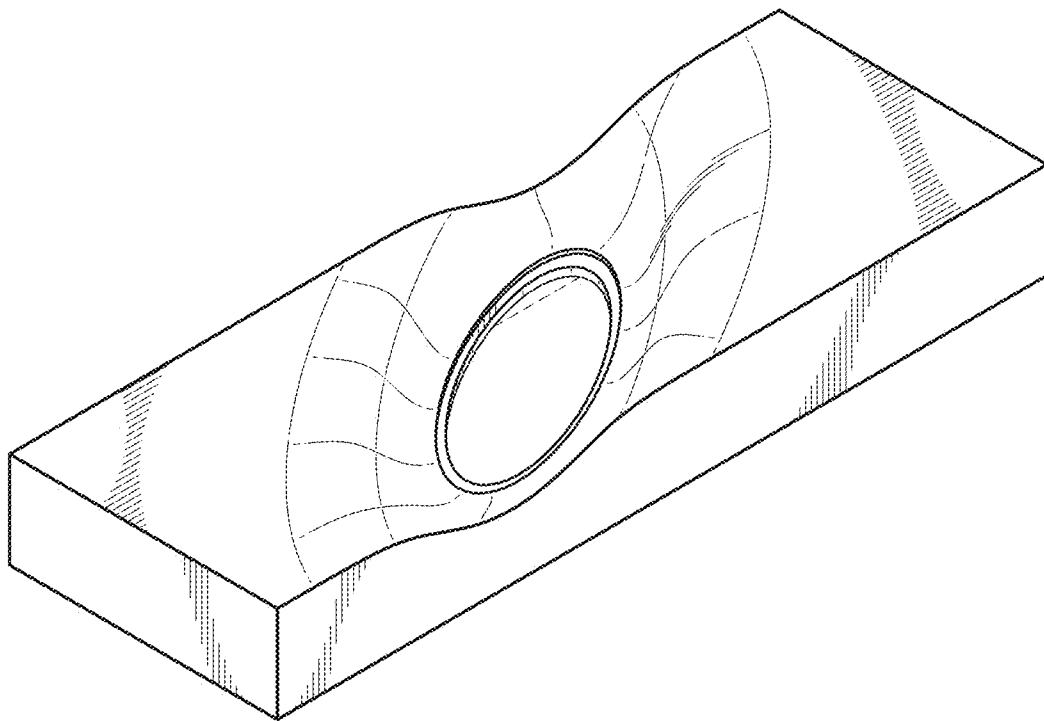


FIG. 1

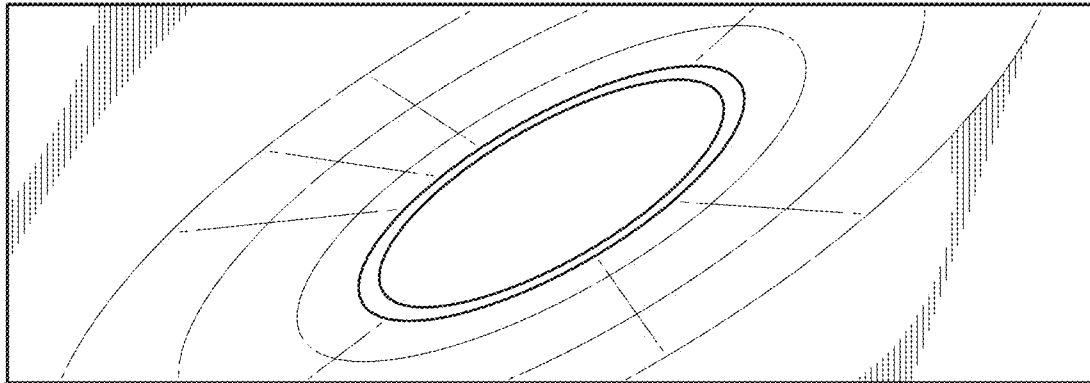


FIG. 2

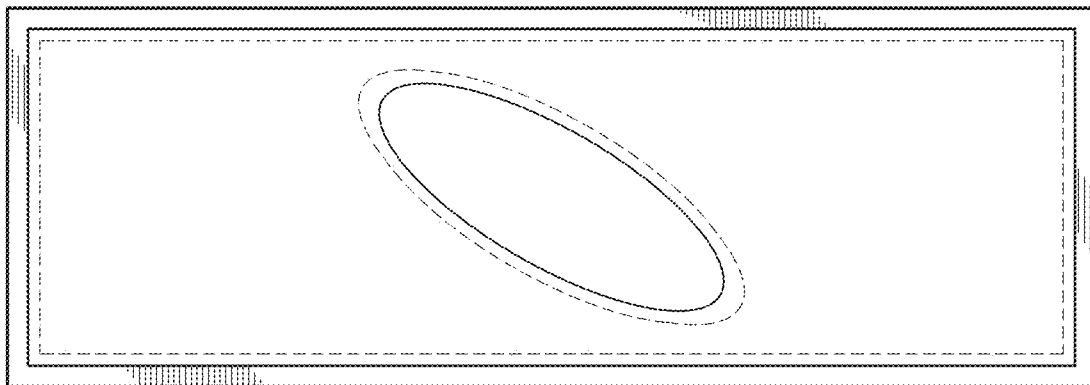


FIG. 3

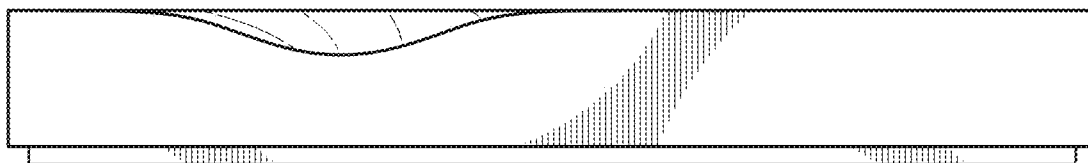


FIG. 4

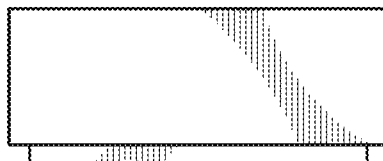


FIG. 5

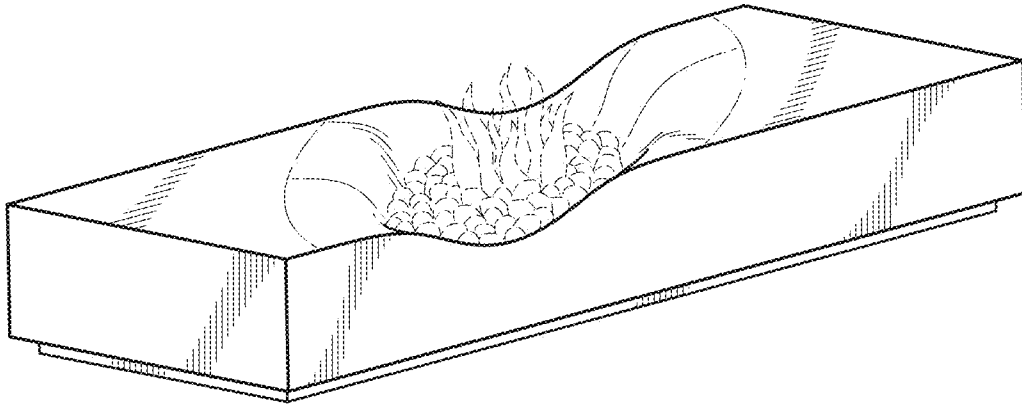


FIG. 6