



US00D948685S

(12) **United States Design Patent**
Smith

(10) **Patent No.:** **US D948,685 S**

(45) **Date of Patent:** **** Apr. 12, 2022**

- (54) **CONCRETE FIRE BOWL**
- (71) Applicant: **Zachary Alan Smith**, San Diego, CA (US)
- (72) Inventor: **Zachary Alan Smith**, San Diego, CA (US)
- (73) Assignee: **Zachary Alan Designs LLC**, San Diego, CA (US)
- (**) Term: **15 Years**
- (21) Appl. No.: **29/785,326**
- (22) Filed: **May 25, 2021**
- (51) **LOC (13) Cl.** **23-03**
- (52) **U.S. Cl.**
USPC **D23/343**
- (58) **Field of Classification Search**
USPC D23/332, 314, 343, 348, 350, 346, 336, D23/341, 342, 345; D7/332-337, D7/402-405, 352; D8/400, 499, 356, D8/352; D13/156; D11/143, 152, 154, D11/155, 156, 164
CPC F24C 1/16; F24C 5/00; F24C 3/14; A47J 33/00; A47J 37/0763; A47J 37/07; F24B 1/18; F24B 1/182; F24B 1/1808; F24B 1/181; F24B 1/195; F24B 1/191
See application file for complete search history.

D849,903 S *	5/2019	Pontillas	D23/332
D857,863 S *	8/2019	Pontillas	D23/332
D914,175 S *	3/2021	Smith	D23/343
D914,176 S *	3/2021	Smith	D23/343
2010/0062382 A1 *	3/2010	Carey Stachowski	F23D 3/08
				431/144
2019/0285274 A1 *	9/2019	Chen	H03F 3/68

* cited by examiner

Primary Examiner — Ania Aman

(74) *Attorney, Agent, or Firm* — Lewis Kohn & Walker LLP; Kent M. Walker; Kari Moyer-Henry

(57) **CLAIM**

The ornamental design for a concrete fire bowl, as shown and described.

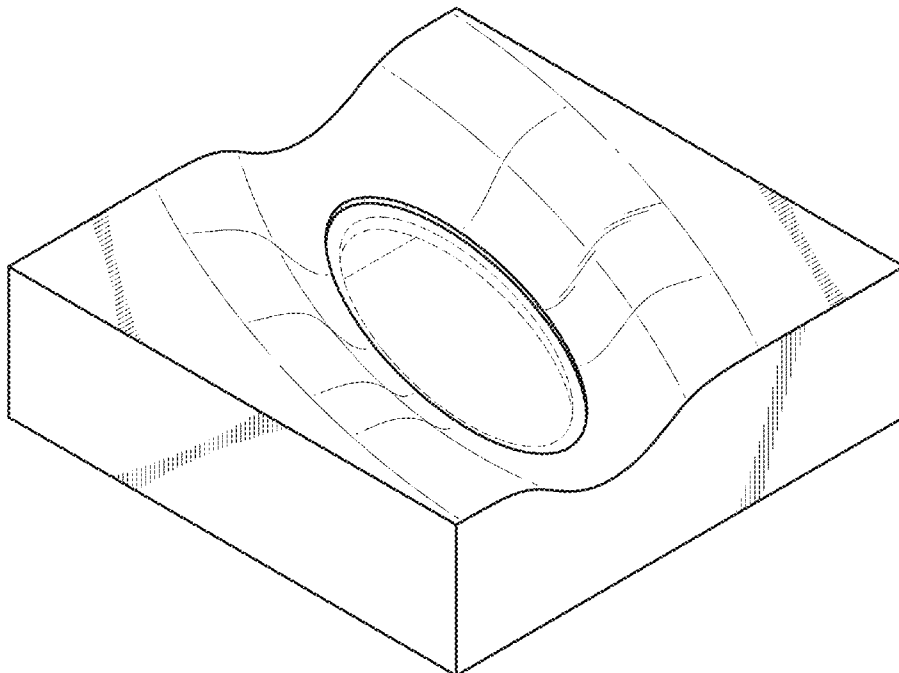
DESCRIPTION

FIG. 1 is a top perspective view of the concrete fire bowl embodied in the present invention;
 FIG. 2 is a top view of the concrete fire bowl from FIG. 1;
 FIG. 3 is bottom view of the concrete fire bowl from FIG. 1;
 FIG. 4 is a side view of the concrete fire bowl from FIG. 1;
 FIG. 5 is an end view of the concrete fire bowl of FIG. 1; and,
 FIG. 6 is a side perspective view of the concrete fire bowl of FIG. 1.

The broken lines shown in FIGS. 1, 2 and 3 are included for the purpose of illustrating portions of the article that form no part of the claimed design. The broken lines shown in FIG. 6 are included for the purpose of illustrating environmental context and forms no part of the claimed design.

1 Claim, 5 Drawing Sheets

- (56) **References Cited**
U.S. PATENT DOCUMENTS
7,799,102 B2 * 9/2010 Weinberger F23D 5/04
44/541
D822,186 S * 7/2018 Pontillas D23/332



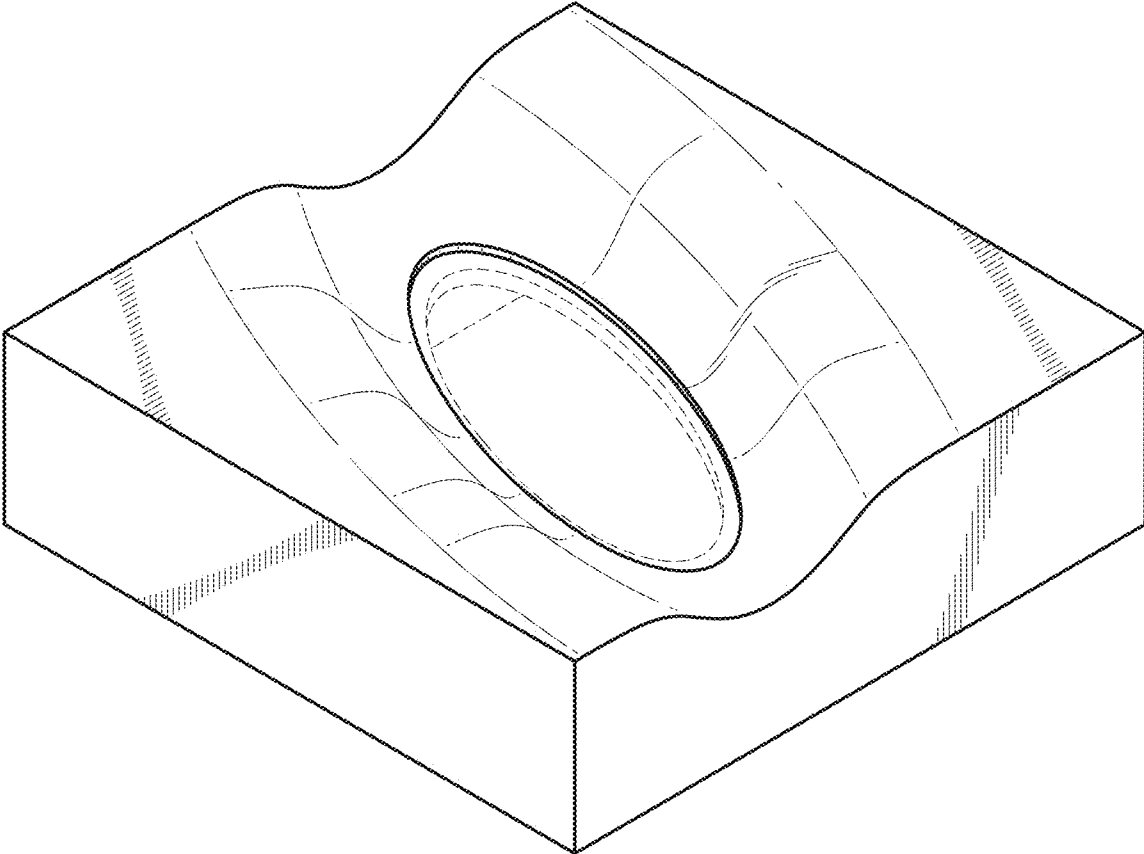


FIG. 1

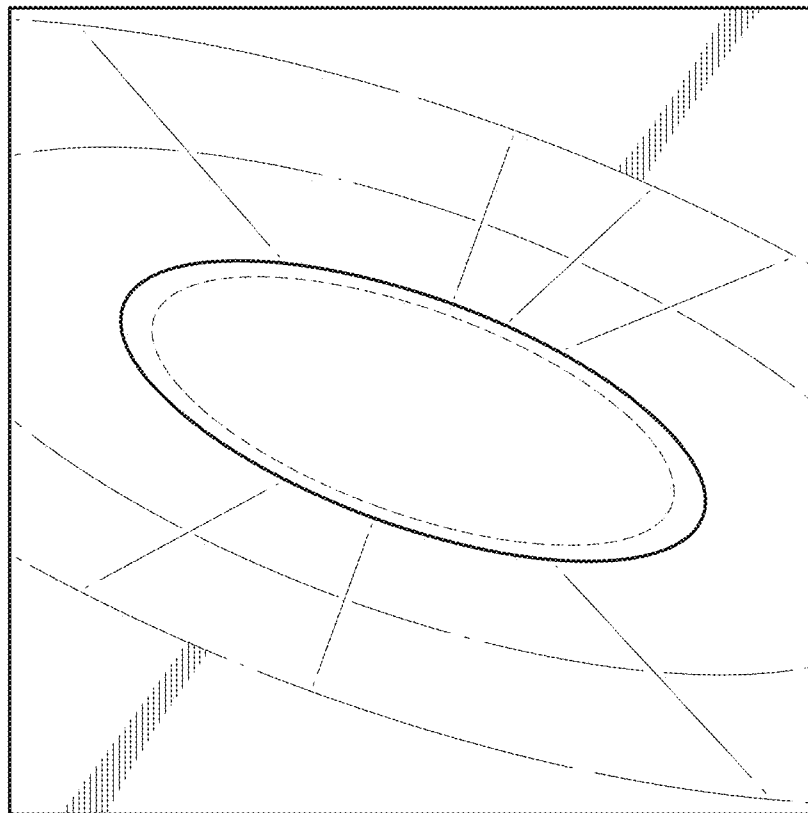


FIG. 2

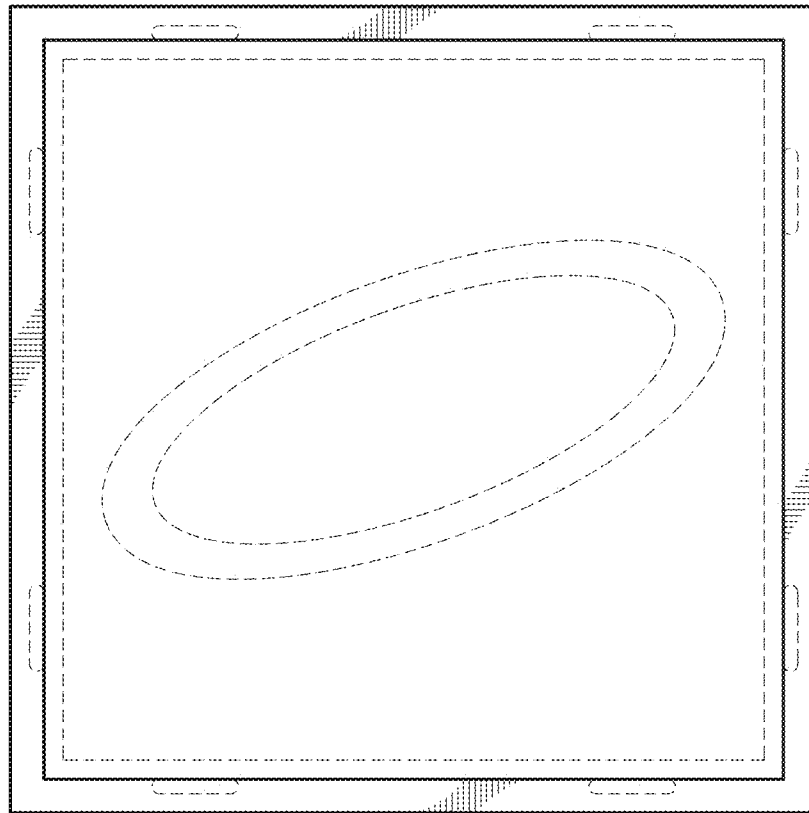


FIG. 3

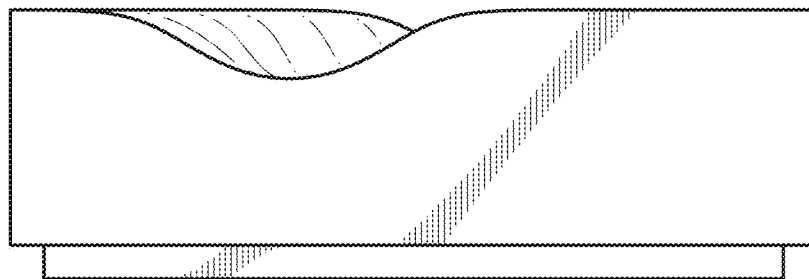


FIG. 4

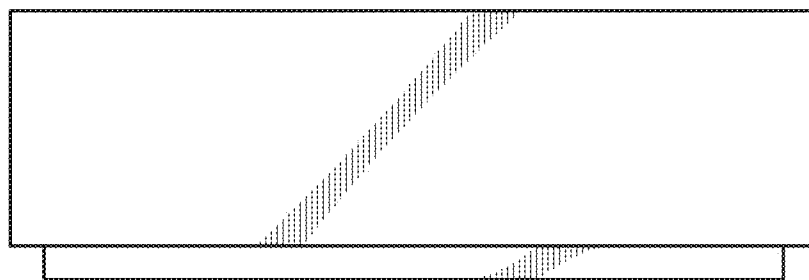


FIG. 5

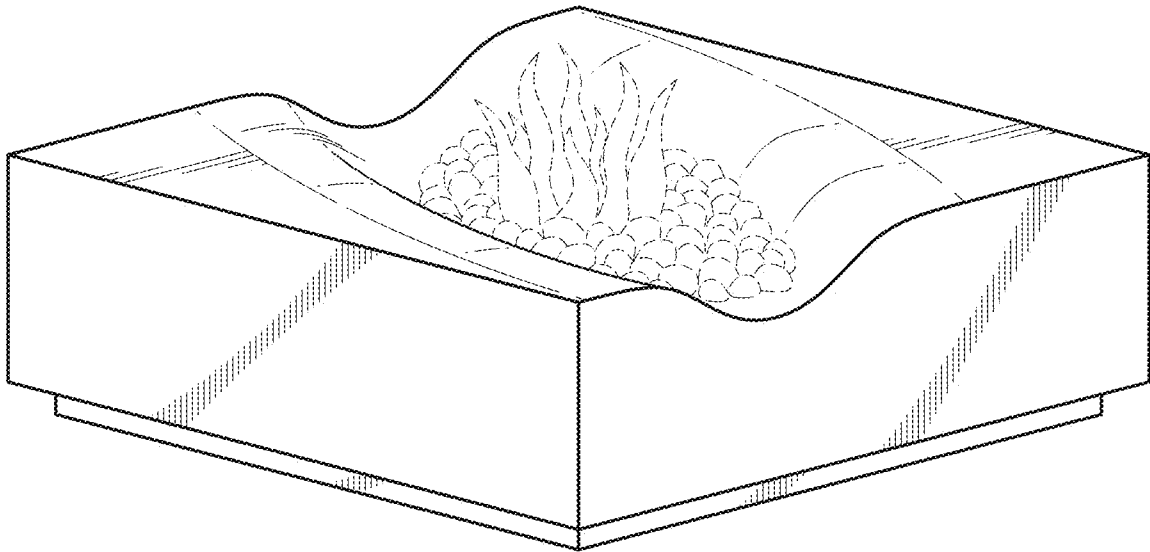


FIG. 6