



US00D948684S

(12) **United States Design Patent** (10) **Patent No.:** **US D948,684 S**
Smith (45) **Date of Patent:** **** Apr. 12, 2022**

- (54) **CONCRETE FIRE BOWL**
- (71) Applicant: **Zachary Alan Smith**, San Diego, CA (US)
- (72) Inventor: **Zachary Alan Smith**, San Diego, CA (US)
- (73) Assignee: **Zachary Alan Designs LLC**, San Diego, CA (US)

D879,520 S * 3/2020 Cully D6/686
 D914,174 S * 3/2021 Smith D23/343
 D914,175 S * 3/2021 Smith D23/343
 D914,176 S * 3/2021 Smith D23/343
 2006/0266351 A1* 11/2006 Griffin F24C 1/04
 126/523

(Continued)

FOREIGN PATENT DOCUMENTS

GB 4012254 * 1/2010

OTHER PUBLICATIONS

QCP UFO <https://qcp-corp.com/detail/ufo/1047> (Year: 2021).*

Primary Examiner — Ania Aman
 (74) *Attorney, Agent, or Firm* — Lewis Kohn & Walker LLP; Kent M. Walker; Kari Moyer-Henry

- (**) Term: **15 Years**
- (21) Appl. No.: **29/755,252**
- (22) Filed: **Oct. 19, 2020**
- (51) **LOC (13) Cl.** **23-03**
- (52) **U.S. Cl.**
USPC **D23/343**
- (58) **Field of Classification Search**
USPC D23/332, 314, 343, 348, 350, 346, 336, D23/341, 342, 345; D7/332–337, D7/402–405, 352, 587; D8/400, 499, D8/356, 352; D13/156; D11/143, 152, D11/154, 155, 156, 164; D26/9, 15, 21, D26/22
CPC F24C 1/16; F24C 5/00; F24C 3/14; A47J 33/00; A47J 37/0763; A47J 37/07; F24B 1/18; F24B 1/182; F24B 1/1808; F24B 1/181; F24B 1/195; F24B 1/191
See application file for complete search history.

(57) **CLAIM**

The ornamental design for a concrete fire bowl, as shown and described.

DESCRIPTION

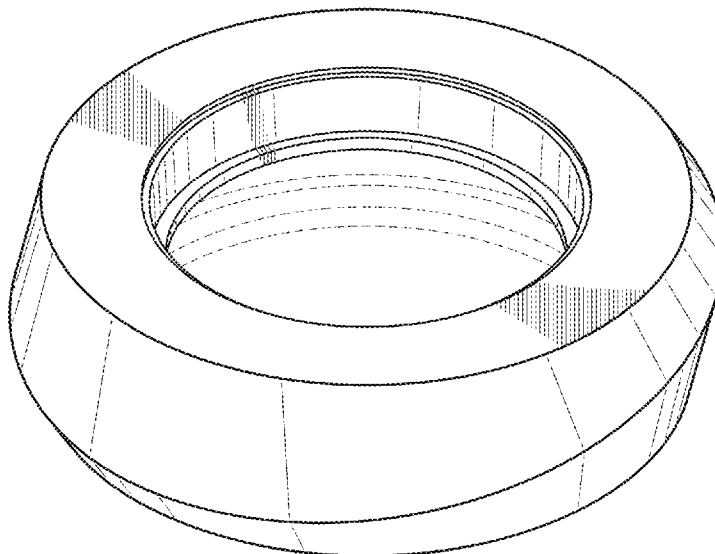
FIG. 1 is a top perspective view of the concrete fire bowl embodied in the present invention;
 FIG. 2 is a top view of the concrete fire bowl from FIG. 1;
 FIG. 3 is an end view of the concrete fire bowl from FIG. 1;
 FIG. 4 is a bottom view of the concrete fire bowl from FIG. 1;
 FIG. 5 is a side view of the concrete fire bowl of FIG. 1; and,
 FIG. 6 is a side perspective view of the concrete fire bowl of FIG. 1.
 The broken lines shown in FIGS. 1 and 4 are included for the purpose of illustrating portions of the article that form no part of the claimed design. The broken lines shown in FIG. 6 are included for the purpose of illustrating environmental context and forms no part of the claimed design.

(56) **References Cited**

U.S. PATENT DOCUMENTS

6,055,773 A * 5/2000 Yang A01G 9/02
 119/61.1
 D718,501 S * 11/2014 Byrne D30/160
 D769,148 S * 10/2016 Siegel D11/152
 D814,345 S * 4/2018 Siegel D11/152
 D869,241 S * 12/2019 Ellison D7/587
 D871,159 S * 12/2019 Ellison D7/587

1 Claim, 4 Drawing Sheets



(56)

References Cited

U.S. PATENT DOCUMENTS

2014/0174427 A1* 6/2014 Yuen A47J 37/067
126/25 R
2016/0327266 A1* 11/2016 Le Blanc B67D 7/305
2019/0376692 A1* 12/2019 Seera F24B 1/181

* cited by examiner

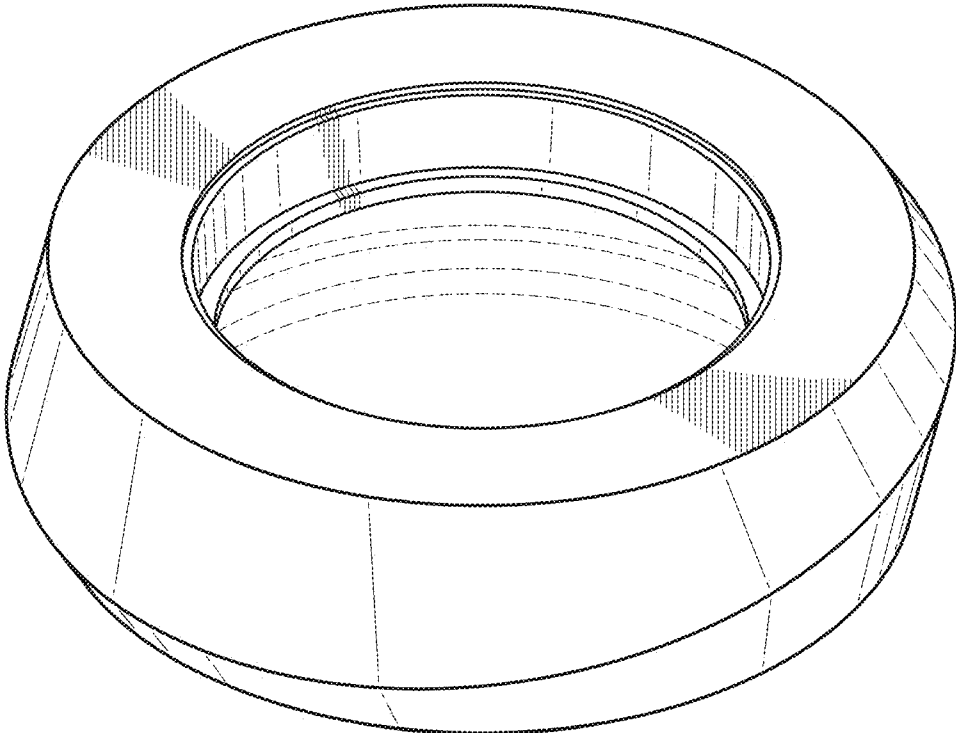


FIG. 1

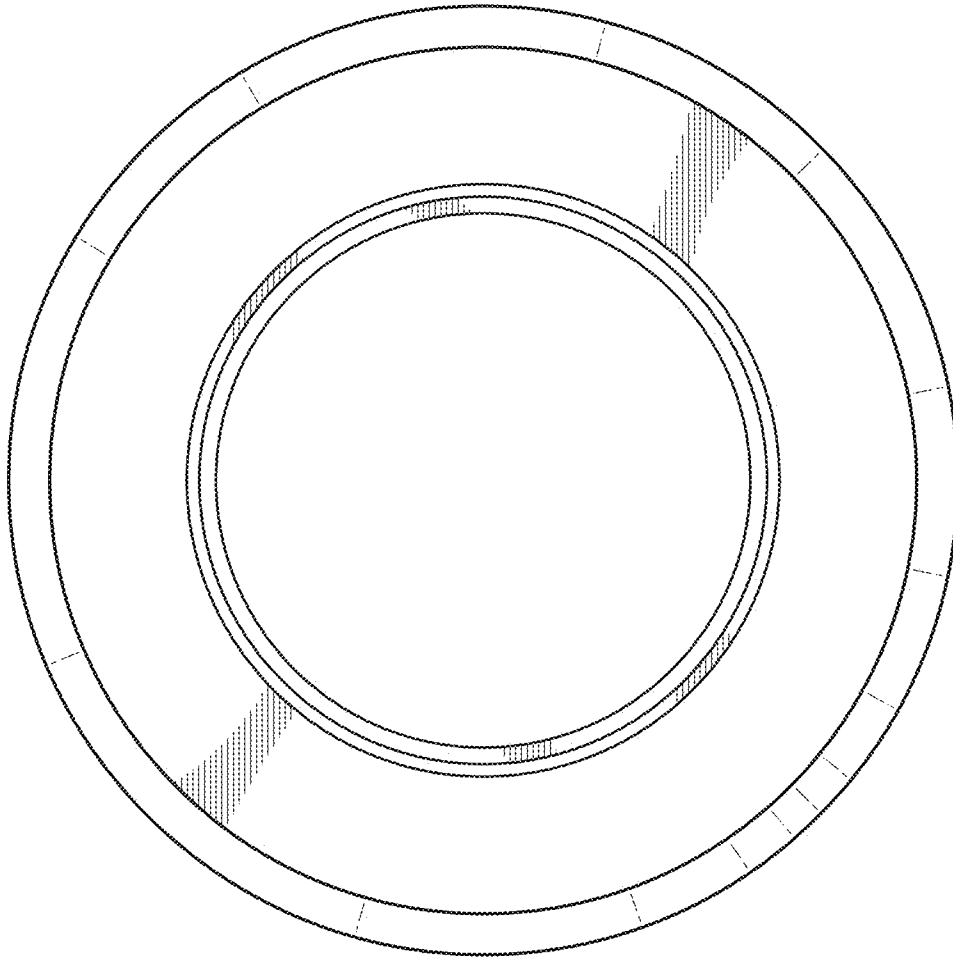


FIG. 2

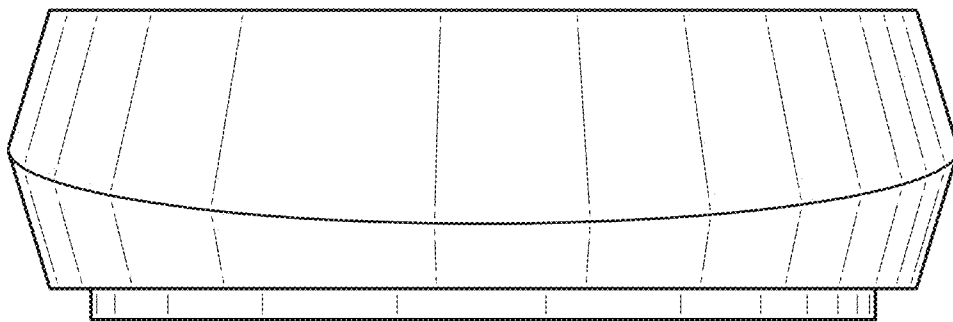


FIG. 3

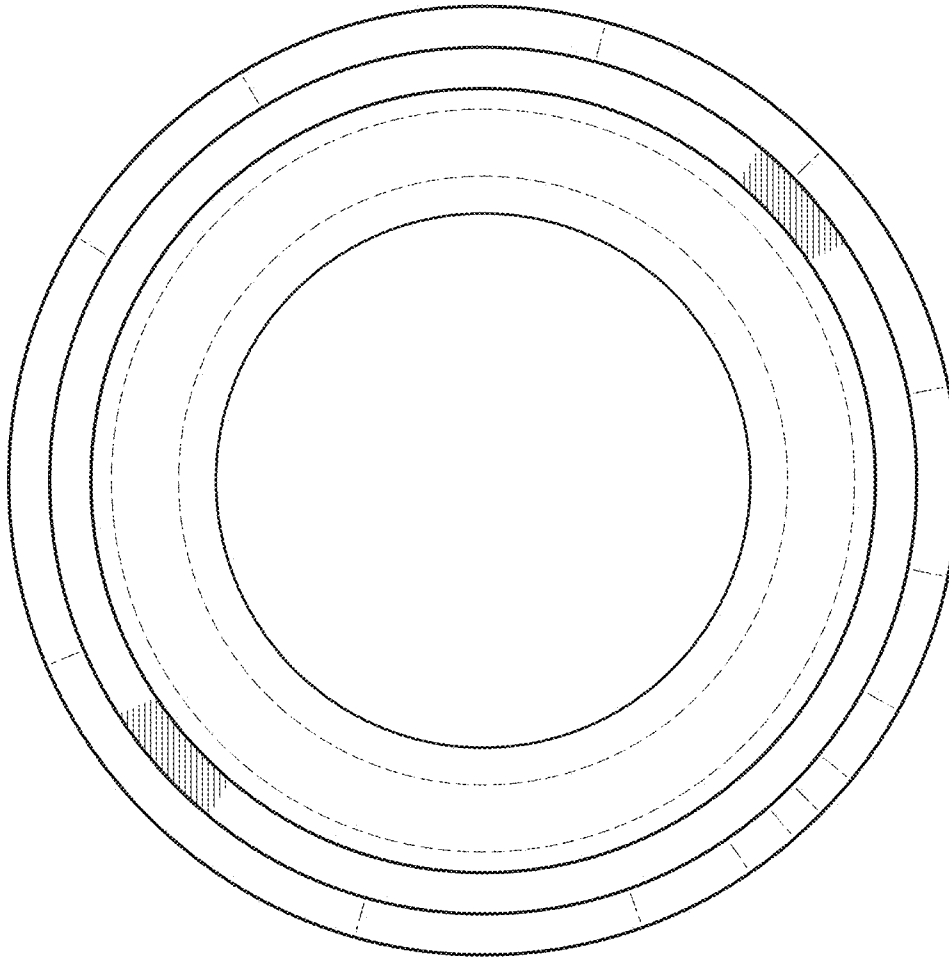


FIG. 4

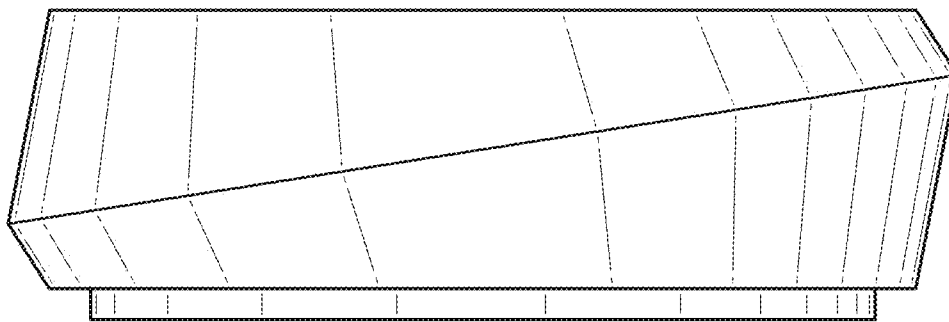


FIG. 5

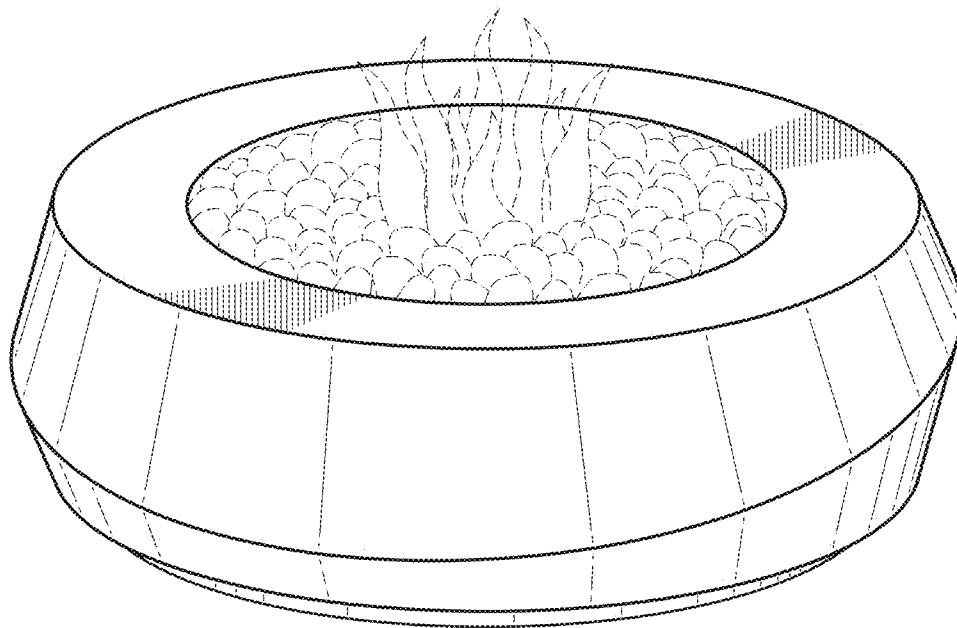


FIG. 6