



US00D914176S

(12) **United States Design Patent**
Smith

(10) **Patent No.:** **US D914,176 S**

(45) **Date of Patent:** **** Mar. 23, 2021**

(54) **CONCRETE FIRE BOWL**

(71) Applicant: **Zachary Alan Smith**, San Diego, CA
(US)

(72) Inventor: **Zachary Alan Smith**, San Diego, CA
(US)

(**) Term: **15 Years**

(21) Appl. No.: **29/718,933**

(22) Filed: **Dec. 30, 2019**

(51) **LOC (13) Cl.** **23-03**

(52) **U.S. Cl.**
USPC **D23/343**

(58) **Field of Classification Search**
USPC D23/332, 314, 343, 348, 350, 346, 336,
D23/341, 342, 345; D7/332-337,
D7/402-405, 352; D8/400, 499, 356,
D8/352; D13/156
CPC F24C 1/16; F24C 5/00; F24C 3/14; A47J
33/00; A47J 37/0763; A47J 37/07; F24B
1/18; F24B 1/182; F24B 1/1808; F24B
1/181; F24B 1/195; F24B 1/191
See application file for complete search history.

(56) **References Cited**

U.S. PATENT DOCUMENTS

| | | | | |
|--------------|---------|---------------|-------|----------|
| D186,778 S * | 12/1959 | Miller et al. | | D21/564 |
| D296,761 S * | 7/1988 | Mockett | | 379/438 |
| D358,980 S * | 6/1995 | Mockett | | D8/356 |
| D530,606 S * | 10/2006 | Liebe | | D9/440 |
| D540,451 S * | 4/2007 | Emalfarb | | D23/348 |
| D615,469 S * | 5/2010 | Huang | | D12/190 |
| D667,236 S * | 9/2012 | Greiner | | D6/668.2 |
| D718,501 S * | 11/2014 | Byrne | | D30/160 |
| D769,148 S * | 10/2016 | Siegel | | D11/152 |
| D774,172 S * | 12/2016 | Zemel | | D23/343 |
| D796,656 S * | 9/2017 | Skillman | | D23/343 |
| D798,099 S * | 9/2017 | Goossens | | D7/332 |

| | | | | |
|-------------------|---------|--------------|-------|--------------------------|
| 10,746,408 B1 * | 8/2020 | Goin | | F23B 7/002 |
| 2008/0163863 A1 * | 7/2008 | Thomas | | F24C 15/22 126/512 |
| 2014/0174427 A1 * | 6/2014 | Yuen | | A47J 37/067 126/25 R |
| 2015/0327723 A1 * | 11/2015 | Leighton | | A47J 37/0707 126/25 R |
| 2016/0327266 A1 * | 11/2016 | Le Blanc | | B67D 7/305 |
| 2017/0273503 A1 * | 9/2017 | Schuitemaker | | F24C 1/16 |
| 2019/0376692 A1 * | 12/2019 | Seera | | F24B 1/181 |

* cited by examiner

Primary Examiner — Ania Aman

(74) *Attorney, Agent, or Firm* — Lewis Kohn & Walker
LLP; Kent M. Walker; Kari Moyer-Henry

(57) **CLAIM**

The ornamental design for a concrete fire bowl, as shown and described.

DESCRIPTION

FIG. 1 is a top perspective view of the concrete fire bowl embodied in the present invention;
FIG. 2 is a bottom perspective view of the concrete fire bowl from FIG. 1;
FIG. 3 is a top view of the concrete fire bowl from FIG. 1;
FIG. 4 is a bottom view of the concrete fire bowl from FIG. 1;
FIG. 5 is a side view of the concrete fire bowl from FIG. 1;
FIG. 6 is an end view of the concrete fire bowl of FIG. 1; and,
FIG. 7 is a side perspective view of the concrete fire bowl of FIG. 1.

The broken lines shown in FIGS. 1, 2, 3 and 4 are included for the purpose of illustrating portions of the article that form no part of the claimed design. The broken lines shown in FIG. 7 are included for the purpose of illustrating environmental context and forms no part of the claimed design.

1 Claim, 4 Drawing Sheets

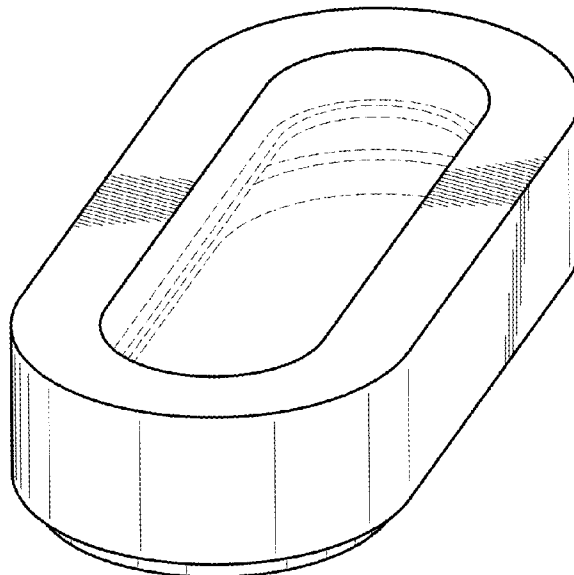


FIG. 1

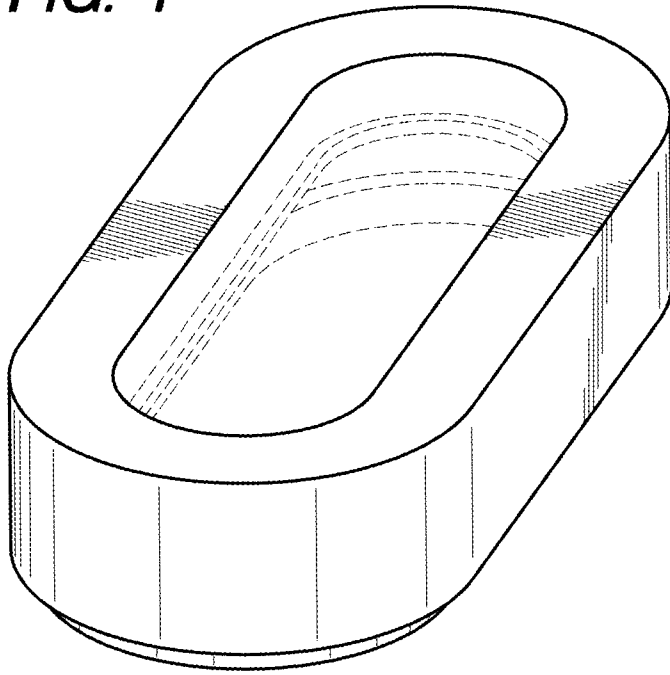
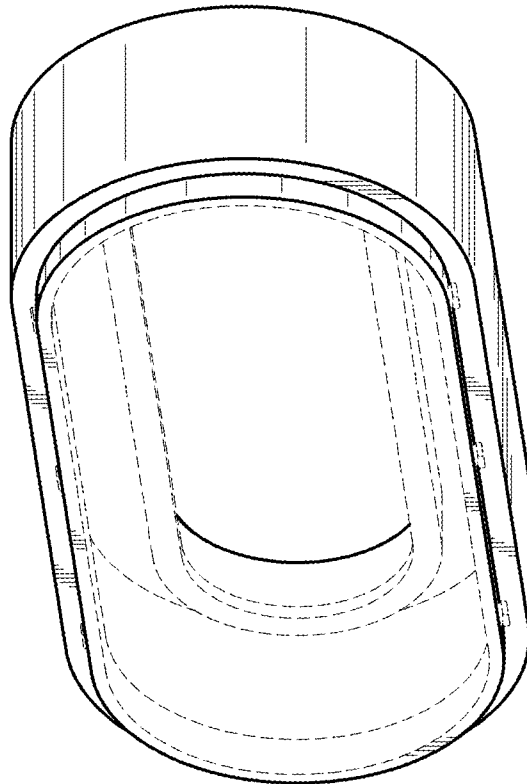


FIG. 2



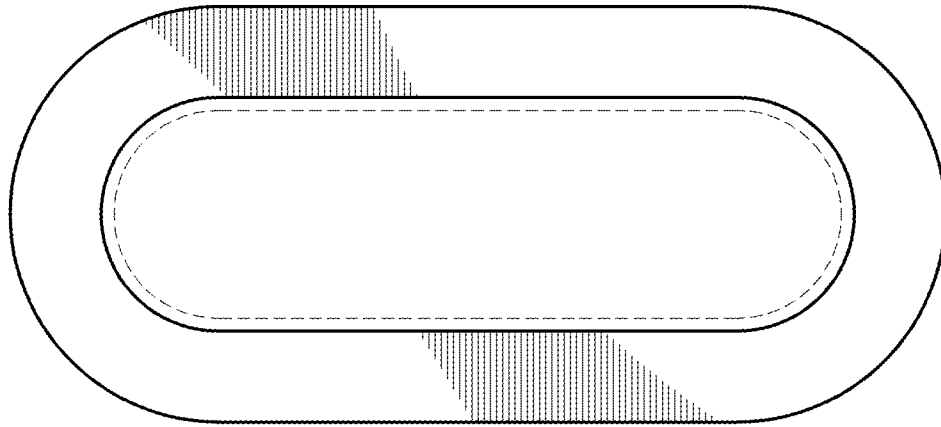


FIG. 3

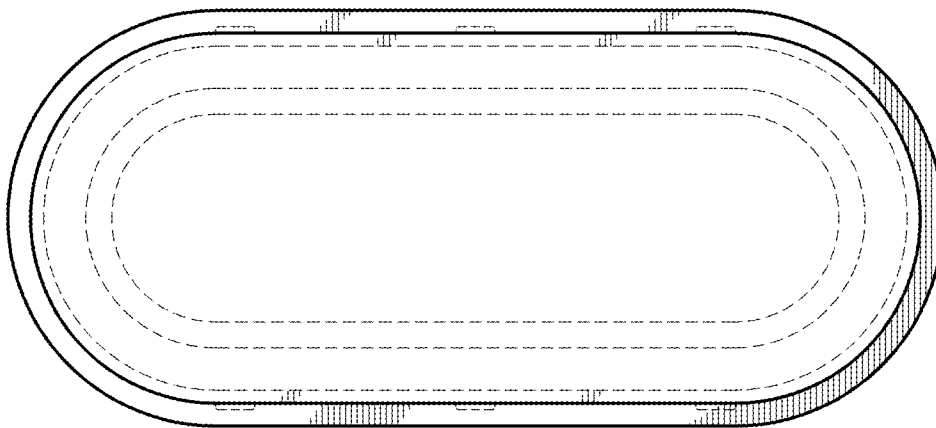


FIG. 4

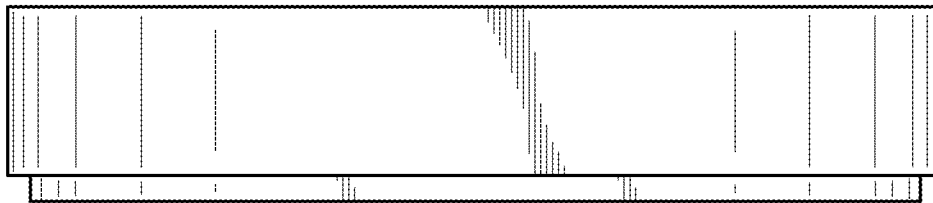


FIG. 5

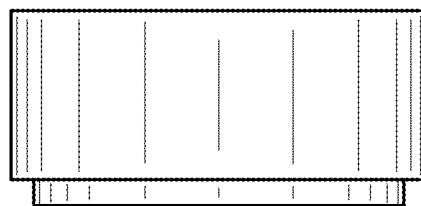


FIG. 6

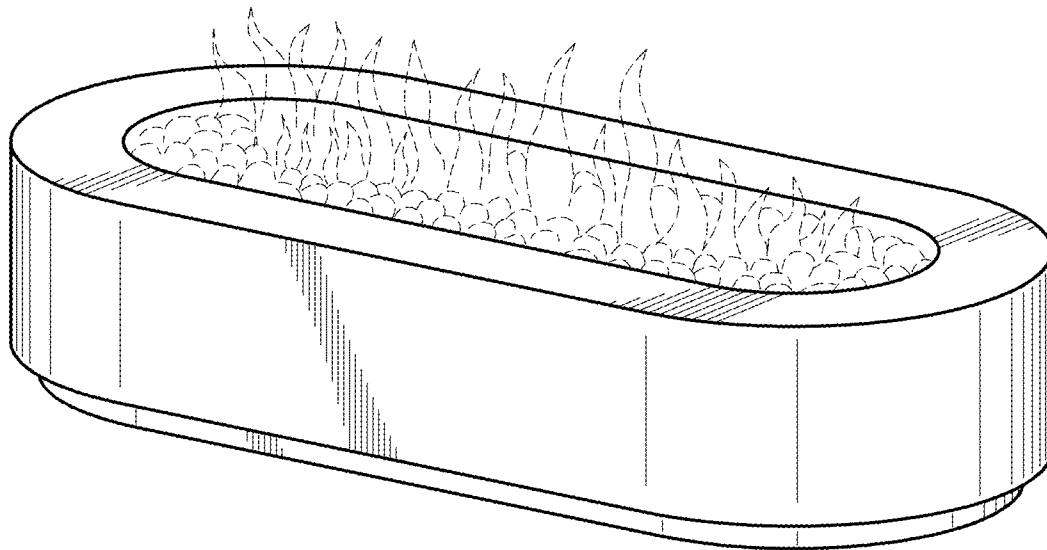


FIG. 7