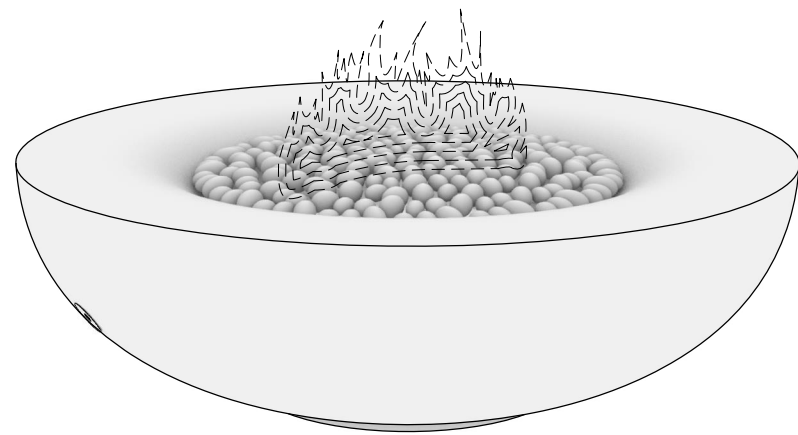
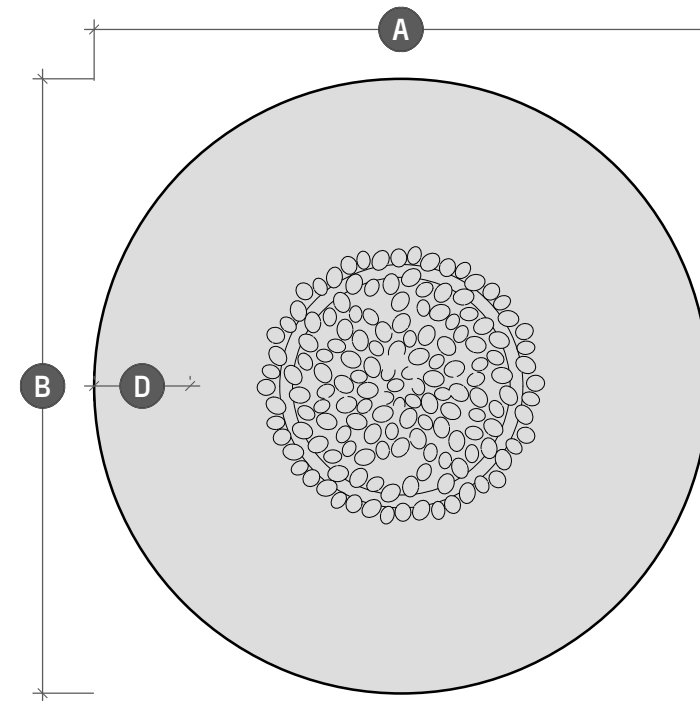


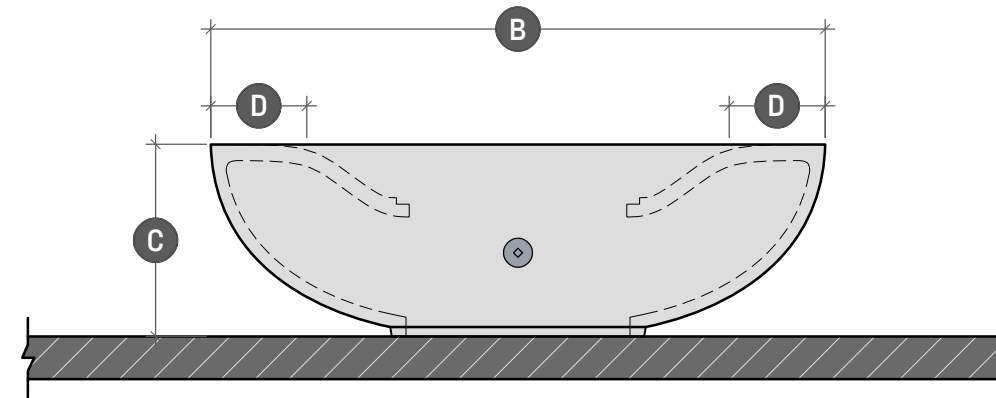
OVA soft FIRE TABLE



OVs.1.1 PERSPECTIVE VIEW
SCALE: NA

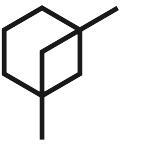


OVs.1.2 PLAN VIEW
SCALE: 1" = 1' - 3"



OVs.1.3 SIDE ELEVATION
SCALE: 1" = 1' - 3"

	OVA soft 36	OVA soft 42	OVA soft 48	OVA soft 52
Length	A - 36"	A - 42"	A - 48"	A - 52"
Width	B - 36"	B - 42"	B - 48"	B - 52"
Height	C - 15"	C - 15"	C - 15"	C - 15"
Surface	D - 4"	D - 4 1/4"	D - 4 1/2"	D - 4 3/4"



LUMACAST

3261 National Ave
San Diego, CA 92113
t: +1 888 710 1026
www.lumacast.com

PROJECT INFORMATION

PROJECT:
LUMACAST FIRE TABLE
OVA soft

DESIGNER:
LUMACAST

DRAWING INFORMATION

DRAWING PACKAGE:
2D SHOP DRAWINGS
SHEET CONTENTS:
COVER SHEET

MORE INFORMATION



SCAN TO LEARN MORE

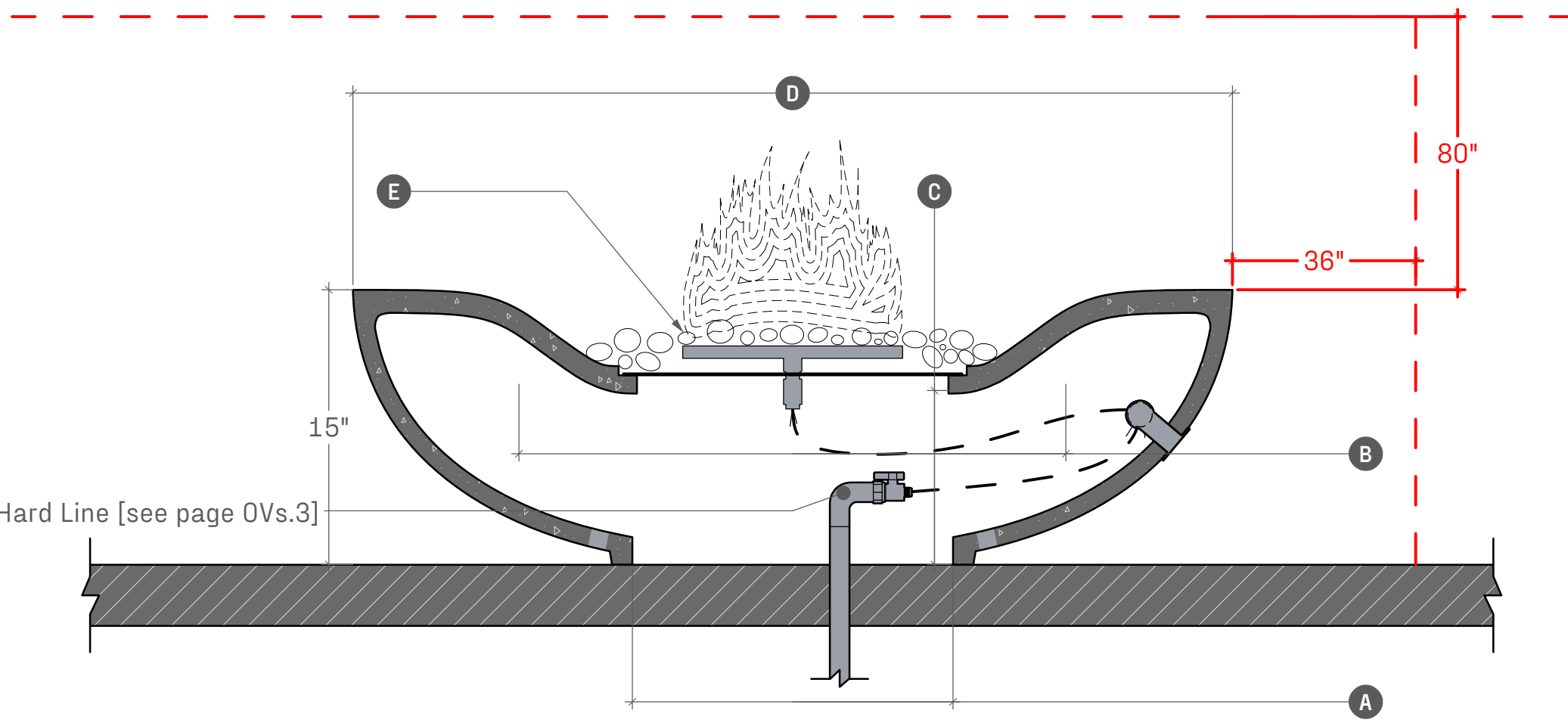
AUTHOR AUTHOR
EGI 09/23

OVs

.1

SHEET NO

MINIMUM CLEARANCES TO COMBUSTIBLES



OVs.2.1 SECTION DETAIL
SCALE: 1" = 0' - 8"

	OVA soft 36	OVA soft 42	OVA soft 48	OVA soft 52
Opening at Base	A - 10"	A - 12"	A - 16"	A - 19"
Burner Pan Access	B - 9"	B - 13"	B - 17"	B - 20"
Burner Pan Height	C - 10"	C - 10"	C - 10"	C - 10"
Length	D - 36"	D - 42"	D - 48"	D - 52"
Burner Options	E - - -	E - - -	E - - -	E - - -
Stainless Steel Burner	88,000 BTU	120,000 BTU	147,000 BTU	296,000 BTU
Warming Trands Burner	84,000 BTU	140,000 BTU	180,000 BTU	360,000 BTU
Crated Dimensions	39"x39"x23"	45"x45"x23"	51"x51"x23"	56"x56"x23"
Shipping Weight	- 340 LBs	- 450 LBs	- 565 LBs	- 640 LBs
Shell Weight	- 210 LBS	- 265 LBs	- 325 LBs	- 360 LBs

! WARNINGS !

FOR OUTDOOR USE ONLY

POTENTIAL CARBON MONOXIDE HAZARD

Do not store or use flammable liquids in the vicinity of this product

To be installed by licensed plumber or contractor

TYPICAL CLEARANCES

36" of clearance from the side elevations of the fire table

80" of clearance from the top surface of the fire table

NATURAL GAS SUPPLY

Ensure that the service supplying the fire feature is fitted with a positioned shut off valve that is easily accessible

SUPPLY PRESSURE

Minimum - 3.5" WC

Normal - 7.0" WC

Maximum - 14.0" WC (1/2psi)

- - -

Check with local inspector if any further specifications are required for permitted installations



LUMACAST

3261 National Ave
San Diego, CA 92113
t: +1 888 710 1026
www.lumacast.com

PROJECT INFORMATION

PROJECT:
LUMACAST FIRE TABLE
OVA soft

DESIGNER:
LUMACAST

DRAWING INFORMATION

DRAWING PACKAGE:
2D SHOP DRAWINGS
SHEET CONTENTS:
SPECIFICATIONS

MORE INFORMATION



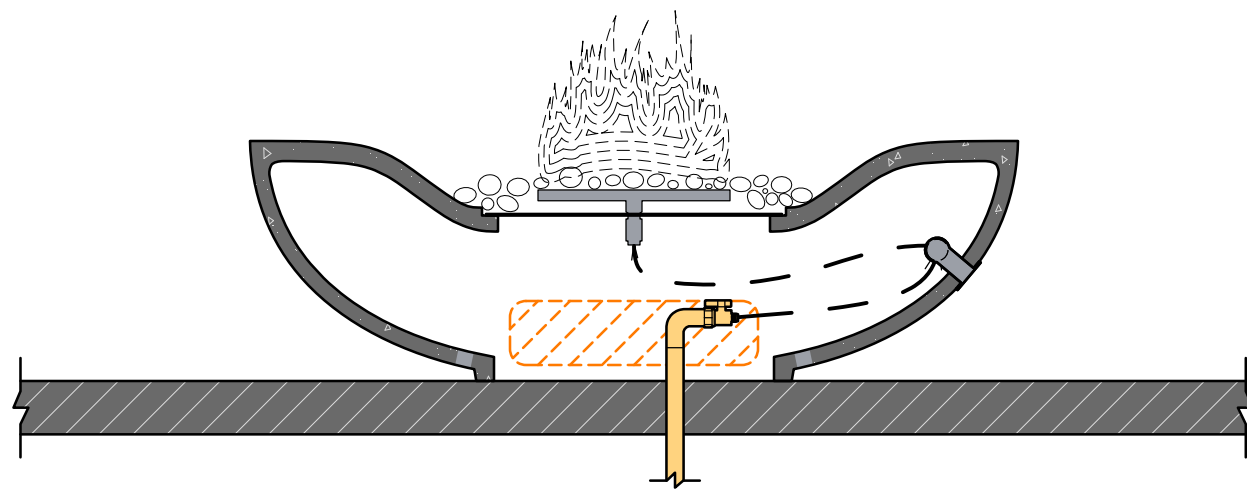
SCAN TO LEARN MORE

AUTHOR AUTHOR
EGI 09/23

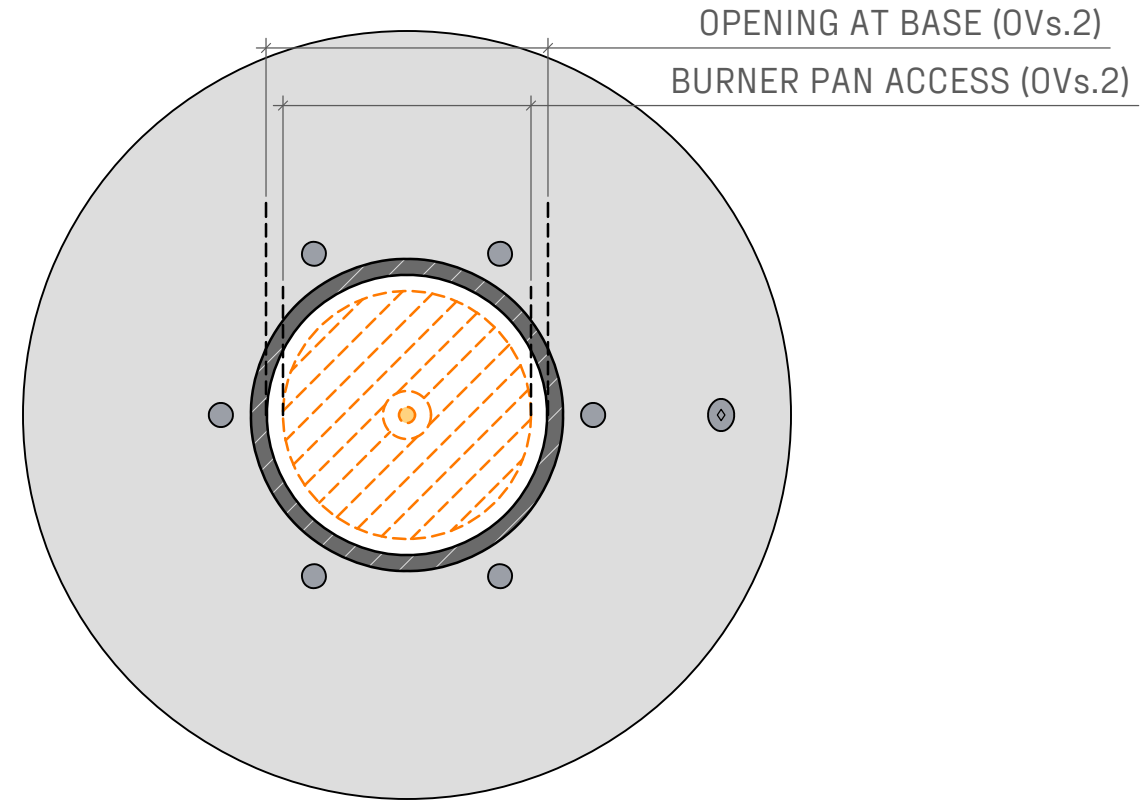
OVs

.2

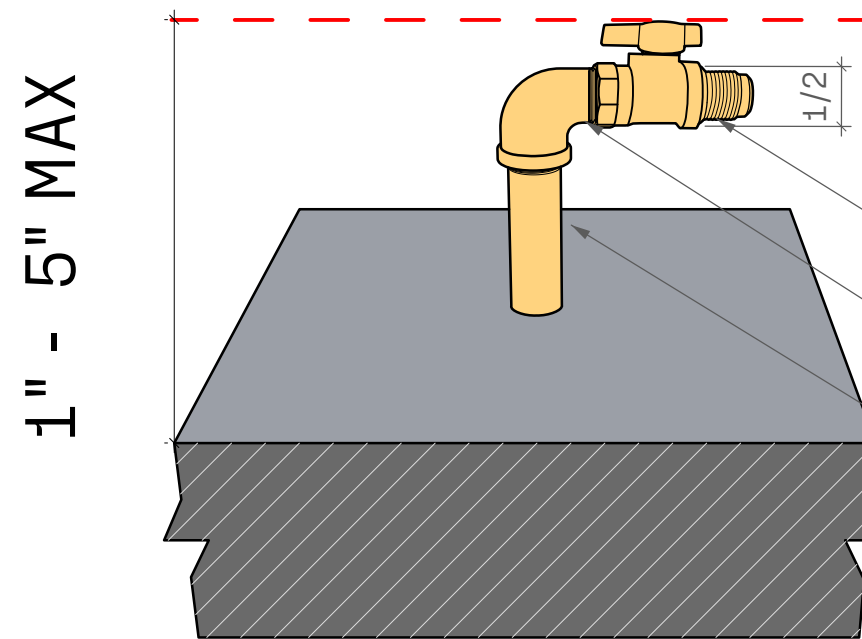
SHEET NO



OVs.3.1 SIDE SECTION
SCALE: 1" = 1' - 0"



OVs.3.2 PLAN VIEW
SCALE: 1" = 1' - 0"



OVs.3.3 PERSPECTIVE
SCALE: n/a

- BRASS FNPT X FLARE GAS BALL VALVE: 1/2"
- STREET ELBOW
- GALVANIZED NIPPLE 3/4" - 1" DEPENDING ON BTU SEE PLUMBER

PLUMBING HARD LINE

For successful installation, hardline stub up should be capped off between 1" and 5" off finished floor.

Lumacast White Glove Delivery and Installation can only be done on IPS Piping

OPENING AT BASE (OVs.2)
BURNER PAN ACCESS (OVs.2)



LUMACAST

3261 National Ave
San Diego, CA 92113
t: +1 888 710 1026
www.lumacast.com

PROJECT INFORMATION

PROJECT:
LUMACAST FIRE TABLE
OVA soft

DESIGNER:
LUMACAST

DRAWING INFORMATION

DRAWING PACKAGE:
2D SHOP DRAWINGS
SHEET CONTENTS:
HARDLINE DIAGRAM

MORE INFORMATION



SCAN TO LEARN MORE

AUTHOR	AUTHOR
EGI	09/23

OVs

.3

SHEET NO