



FIRE FEATURE

Product Manual

3261 NATIONAL AVENUE
SAN DIEGO, CA 92113
+1 888 710 1026
INFO@LUMACAST.COM
WWW.LUMACAST.COM

INDEX

PRE-INSTALLATION INFORMATION	4
IMPORTANT PRODUCT WARNINGS	06
GENERAL INFORMATION	08
CODE REQUIREMENTS & GAS INLET PRESSURES	09
SITE LOCATION & SPACE CLEARANCES	10
RECEIVING LIST - NATURAL GAS & PROPANE	12
RECEIVING LIST - BIOETHANOL	13
YOUR ORDER MAY ALSO INCLUDE	14
SHIPPING & UNCRATING INFORMATION	15
SAFELY MOVING YOUR FIRE FEATURE	16
PRODUCT INSTALLATION GUIDELINES	18
NATURAL GAS	20
PROPANE	24
BIOETHANOL	28
INFILL MEDIA	30
INFILL MEDIA WARNINGS	32
PRODUCT OPERATION	34
PRE-OPERATION GUIDELINES AND WARNINGS	36
NATURAL GAS AND PROPANE	38
BIOETHANOL	40
CARE, STORAGE & MAINTENANCE	42
CARING FOR YOUR FIRE FEATURE	44
CARING FOR YOUR BURNER SYSTEM	43
STORAGE	44
WARRANTY INFORMATION	45
PRODUCT TROUBLESHOOTING	46
BURNER WILL NOT LIGHT	48
BURNER WILL NOT STAY LIT	48
NOISE	48
UNIT IS SMOKING	49
FLAME IS TOO HIGH OR TOO LOW	49
UNIT PRODUCING UNWANTED ODORS	49

Pre-Installation Information

CONTENTS	PAGE
IMPORTANT PRODUCT WARNINGS	06
GENERAL INFORMATION	08
CODE REQUIREMENTS & GAS INLET PRESSURES	09
SITE LOCATION & SPACE CLEARANCES	10
RECEIVING LIST - NATURAL GAS & PROPANE	12
RECEIVING LIST - BIOETHANOL	13
YOUR ORDER MAY ALSO INCLUDE	14
SHIPPING AND UNCRATING INFORMATION	15
SAFELY MOVING THE FIRE FEATURE	16

Important Product Warnings

Before installing this product, read and follow all warning notices and instructions provided. For additional product reference and copies of these instructions, visit our website at lumacast.com



WARNING

FAILURE TO FOLLOW THE INSTRUCTIONS IN THIS MANUAL COULD RESULT IN FIRE OR EXPLOSION, WHICH COULD CAUSE PROPERTY DAMAGE, PERSONAL INJURY, OR DEATH.

WHAT TO DO IF YOU SMELL GAS

- Immediately switch off main gas supply.
- Do not try to light any appliance.
- Do not touch any electrical switch; do not use any phone near unit.
- Immediately remove yourself from the area, call your gas supplier and follow their instructions.
- If you cannot reach your gas supplier, call the fire department.



WARNING

NATURAL GAS AND PROPANE MODELS ARE FOR OUTDOOR USE ONLY

DO NOT STORE OR USE GASOLINE OR OTHER FLAMMABLE VAPORS AND LIQUIDS WITHIN THE VICINITY OF THIS OR ANY OTHER APPLIANCE.

- Any propane tanks not connected for use shall not be stored in the vicinity of this or any other appliance.

THIS APPLIANCE IS FOR USE WITH e-NRG BIOETHANOL, NATURAL GAS OR LIQUID PROPANE ONLY. AT NO TIME ARE SOLID OR ALTERNATIVE FUELS TO BE USED WITH THIS APPLIANCE.



DANGER

CARBON MONOXIDE HAZARD - NATURAL GAS & PROPANE

These units produce carbon monoxide, which has no odor. Using it in an enclosed space can kill you. Never use this appliance in an enclosed space, such as home interiors.

LUMACAST STRONGLY RECOMMENDS THE INSTALLATION OF CARBON MONOXIDE DETECTORS WITHIN REACH OF THIS APPLIANCE AND IN ANY ADJACENT OCCUPIED SPACES.

INSTALLER leave this product manual with the appliance

- The installer is responsible for using the correct fuel line sizing and/or regulation to provide gas within the specified minimum and maximum gas inlet pressures of the fire feature.

CONSUMER retain this manual for future reference.

General Information

This Product Manual encompasses essential guidelines for the secure setup and use of your Lumacast fire feature. It's imperative to review this guide thoroughly before installing or operating the product. Neglecting these directives could lead to property harm, personal injuries, or fatal consequences.

Natural gas and propane models should be installed and serviced exclusively by contractors or qualified installers who are licensed and/or certified in the jurisdiction of the product's installation. In instances where there are no specific state or local licensing or certification requirements, the person responsible for installation or maintenance must be an experienced professional with a demonstrated background in handling gas and/or electric appliances.

Before proceeding with installation, it is imperative to thoroughly read and adhere to all warning notices and instructions accompanying this product. Neglecting to do so may lead to property damage, personal injury, or even death. Incorrect installation and/or operation can expose individuals to carbon monoxide and other hazardous flue gases, posing risks of serious injury, damage, or death. For installations close to living or occupied areas, Lumacast ardently recommends the placement of carbon monoxide detectors near this appliance and in neighboring occupied spaces.

IMPROPER INSTALLATION AND/OR OPERATION WILL VOID WARRANTY.



WARNING

**PRODUCT MAY BE HOT AFTER USE. DO NOT TOUCH!
SEVERE BURNS MAY OCCUR.**

Code Requirements & Gas Inlet Pressure

It is the responsibility of the installer to consult with the local municipality and to **FOLLOW ALL LOCAL CODES** concerning the installation and operation of the fire feature.

When connecting the appliance to a fixed piping system, adhere to local regulations. If local codes are not available, follow the National Fuel Gas Code, ANSI Z223.1-NFPA54, the National Fuel Gas and Propane Installation Code, CSA B149.1, or the Propane Storage and Handling Code, CSAB149.2, as relevant.

FOR UNITS WITH ELECTRONIC IGNITION SYSTEMS

Ensure the appliance is electrically grounded during installation in alignment with local regulations. In the absence of local codes, refer to the National Electrical Code, ANSI/NFPA 70, or the Canadian Electrical Code, CSA C22.1, where relevant.

GAS PRESSURES

The installer is responsible for using the correct fuel lines and/or regulation to provide gas to the fire feature within the specified minimum and maximum gas inlet pressures below:

MATCH LIT	MINIMUM	MAXIMUM
Natural gas	3.5" W.C. (.8718 Kpa)	7.0" W.C. (1.7436 Kpa)
Liquid propane	11.0" W.C. (2.7399 Kpa)	13.0" W.C. (3.2381 Kpa)

ELECTRONIC IGNITION	MINIMUM	MAXIMUM
Natural gas	3.5" W.C. (.8718 Kpa)	14.0" W.C. (3.4872 Kpa)
Liquid propane	8.0" W.C. (1.9927 Kpa)	14.0" W.C. (3.4872 Kpa)

Site Location & Space Clearances

NATURAL GAS & PROPANE

Appliances powered by natural gas or propane, whether match-lit or with electronic ignition systems, are designed exclusively for outdoor use. For those with electronic ignition, an electrical shutoff (either a wall switch or breaker) on a nearby structure is mandatory for emergency shutdowns and maintenance. The specific distance might be stipulated by local codes. Additionally, there must be a gas shutoff outside of the appliance for urgent shutdowns and maintenance. Ensure you place the appliance in a location where it can be monitored during use. It's crucial never to leave it running unattended or in the care of someone unfamiliar with its operation and emergency shutdown procedures. These appliances can reach extremely high temperatures, so it's vital to ensure combustible materials are placed at a safe distance to avoid the risk of ignition.

MINIMUM CLEARANCES - NATURAL GAS, PROPANE

- Overhead, from top of concrete shell: 80 inches (A)
- Lateral, from the side perimeter of shell: 36 inches (B)

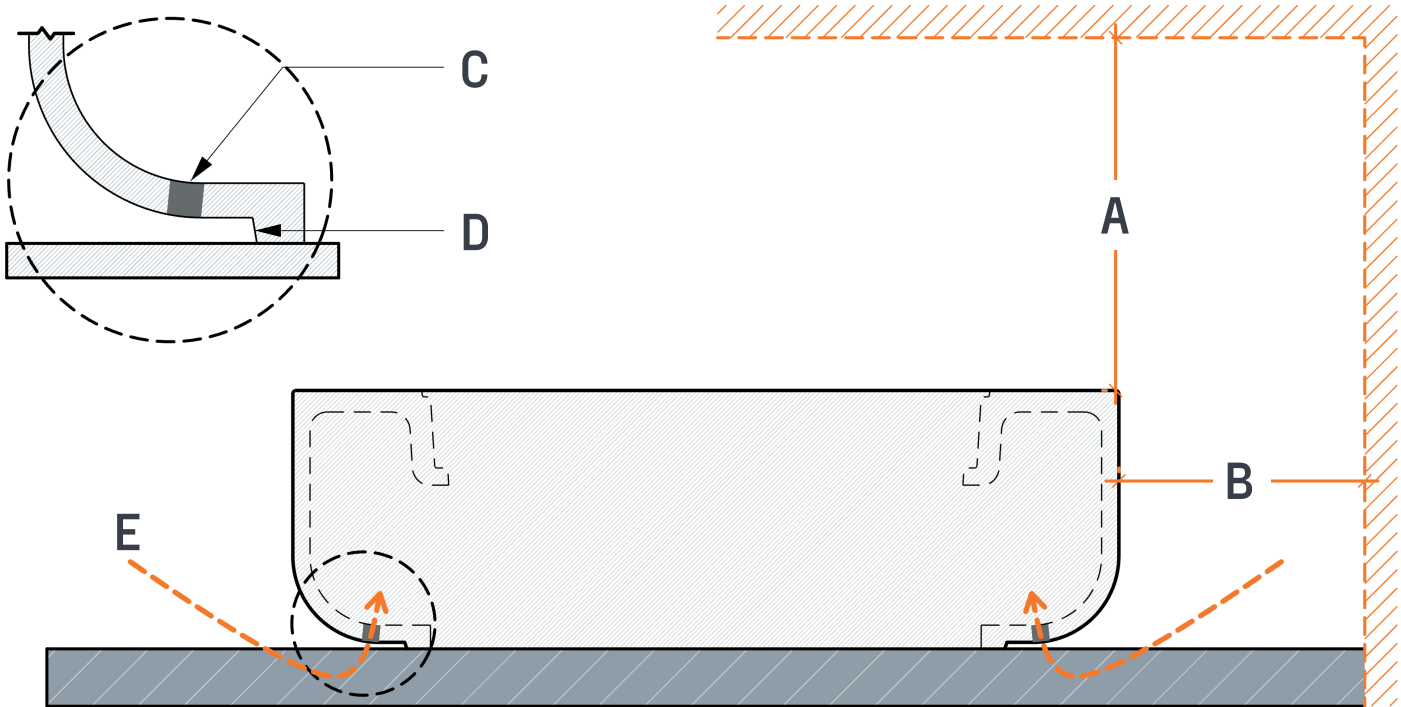
E-NRG BIOETHANOL

Appliances powered by e-NRG bioethanol, are designed for indoor and outdoor use. The specific distance might be stipulated by local codes. It's crucial never to leave it running unattended or in the care of someone unfamiliar with its operation and emergency shutdown procedures. These appliances can reach extremely high temperatures, so it's vital to ensure combustible materials are placed at a safe distance to avoid the risk of ignition.

MINIMUM CLEARANCES - E-NRG BIOETHANOL

- Overhead, indoors: 59.1 inches (A)
outdoors: 78.7 inches (A)
- Lateral, from the side perimeter of shell: 23.6 inches (B)

MINIMUM COMBUSTIBLE CLEARANCES & VENTILATION DIAGRAM



VENTILATION REQUIREMENTS

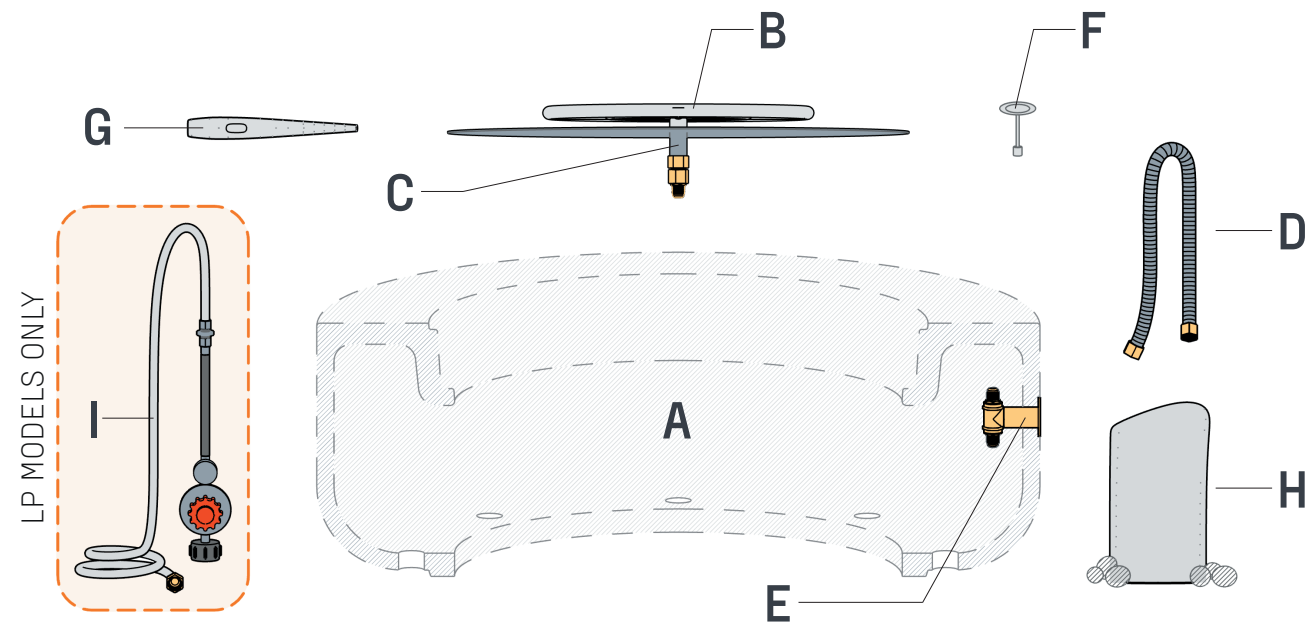
Each fire feature has integrated ventilation openings (C). Fresh air must be able to pass through these openings to safeguard against residual gas accumulation, especially on propane models. Failure to allow proper ventilation may cause an internal fire or explosion. When installing this appliance, the plinth (D) must rest on a hard level surface at grade. This allows proper ventilation (E) through the openings incorporated into the bottom of the shell. The installation method should never block or place the plinth below grade.

Ventilation openings may be used to accommodate running a gas line.



WITH THE EXCEPTION STATED ABOVE, THE VENTILATION AREAS MUST REMAIN OPEN AND UNBLOCKED

Receiving List - Natural Gas & Propane

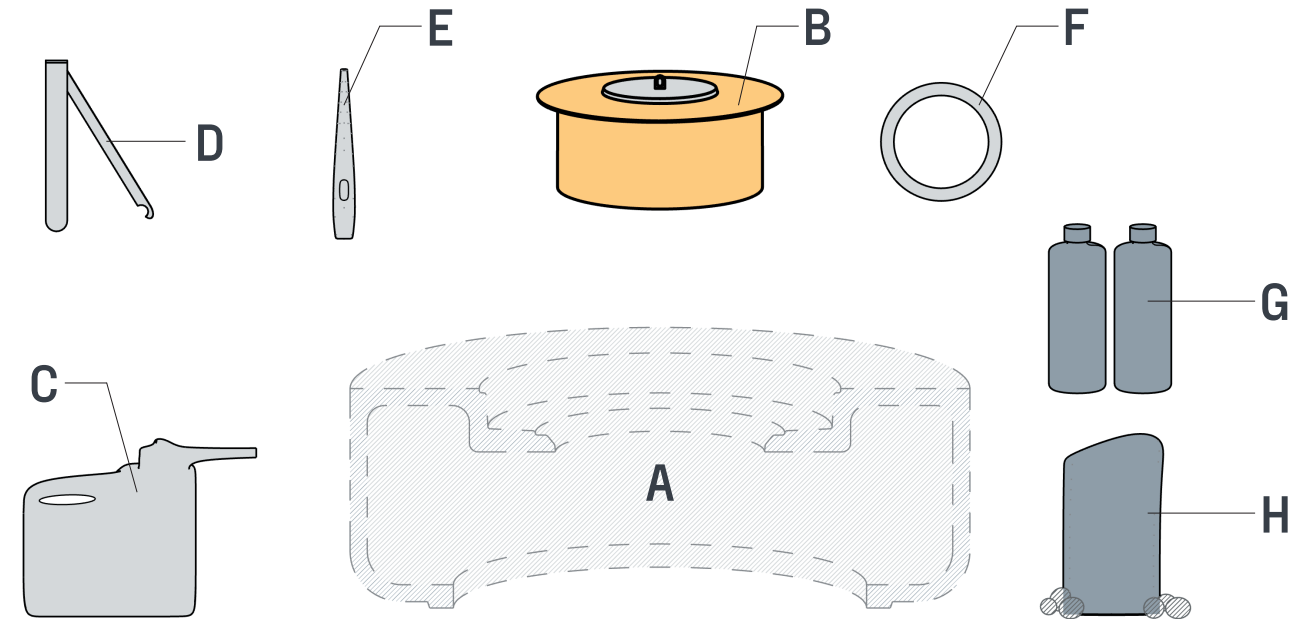


STANDARD PRODUCT CONTENTS

ITEM DESCRIPTION	QUANTITY
Concrete shell (A)	01
Product documentation packet	01
Chosen burner - Stainless steel or Warming Trends (B)	01
Burner pan assembly (C)	01
- NG* brass orifice or LP* air-mixer	01
- Flare adaptor	01
- Leg brackets, quantity varies by fire feature size	03-06
½ Inch stainless steel flex line (D)	02
Color-matched log lighter valve (E)	01
Color-matched log lighter key (F)	01
Lighter wand (G)	01
Infill media, quantity varies by fire feature size (H)	
For LP models: the propane kit is highly recommended (I)	

*LP: liquid propane. NG: natural gas.

Receiving List - Bioethanol



STANDARD PRODUCT CONTENTS

ITEM DESCRIPTION	QUANTITY
Concrete shell (A)	01
Product documentation packet	01
EcoSmart bioethanol burner kit	01
- AB8 stainless steel ethanol burner (B)	01
- Burner Installation, Operation and Maintenance Manual	01
- Jerry can with safety spout (C)	01
- e-NRG fuel adaptor	01
- Lighting rod (D)	01
- Lighter (E)	01
- Jerry can extension hose	01
- Efficiency ring (F)	01
Quart of e-NRG bioethanol (G)	02
Infill media, quantity varies by fire feature size (H)	

Your Order May Also Include

TABLETOPS



Aluminum



Wood-faced composite

ACCESSORIES



All-weather cover



Glass wind guard

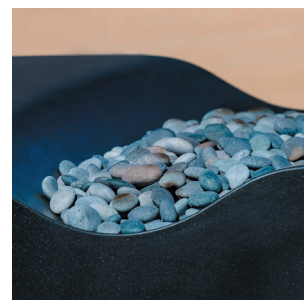


Propane tank cover

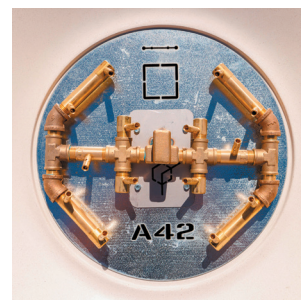
UPGRADES FOR LP & NG FIRE FEATURES



Electronic ignition system



Smooth basalt infill



Warming Trends burner

Also available via special order for electronic ignition systems:

- Controll post
- Smarthome controller

If anything is missing from your order, or if you'd like to purchase additional accessories please call 888-710-1026 or send an email to info@lumacast.com

Shipping & Uncrating Information

RECIEPT OF SHIPMENT AND INITIAL INSPECTION

Before taking procession of fire feature from the transportation carrier:

- Inspect crate / pallet for visible damage
- Check that PO/BOL paperwork matches paperwork on crate/pallet
- Open the top of crate/pallet and inspect unit for damage

IF DAMAGED, PLEASE NOTIFY CARRIER IMMEDIATELY AND SIGN "DAMAGED" OR DO NOT RECEIVE. PLEASE ALSO NOTIFY LUMACAST.

UNCRATING FIRE FEATURE

When removing your fire feature from its protective shipping crate, **proceed with caution**. Damage frequently occurs during this initial uncrating. For more information on how to safely uncrate your fire feature, scan the following QR codes, to watch our instructional videos.



Scan to watch linear fire feature uncrating video



Scan to watch round fire feature uncrating video

Check to make sure all parts are included. Recieving lists can be found on pages 10, and 11. Before assembling the appliance, it is important to perform the following and determine if it is safe to proceed:

- Check for the damage. If any damage is found, document and contact Lumacast immediately. Arrangements will be made for a replacement or refund as necessary.
- Inspect the burner and components carefully for any signs of damage or loose connections. If any damage is found, document and contact Lumacast immediately. Tighten any loose connections and perform a leak test afterward

Safely Moving the Fire Feature

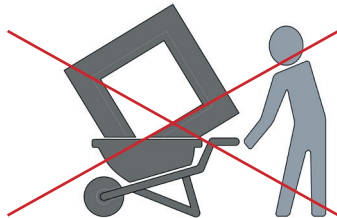


DO NOT ATTEMPT TO MOVE THE UNIT BY YOURSELF AS INJURY TO YOURSELF OR DAMAGE TO THE UNIT MAY OCCUR.

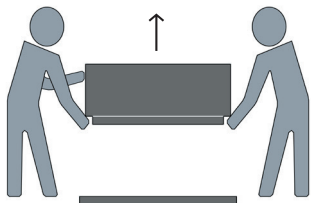
Prior to moving unit make sure to have the necessary manpower to allow for the safe relocation of the unit.

- Shop blankets can be used to add additional protection for the fire feature and underlying surfaces.
- Preplan your route to minimize hazards, damage to the unit at this stage is not covered by the warranty.

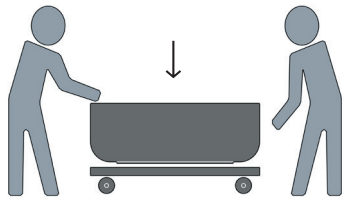
DO NOT USE A WHEELBARROW OR OTHER UNBALANCED EQUIPMENT TO MOVE UNIT.



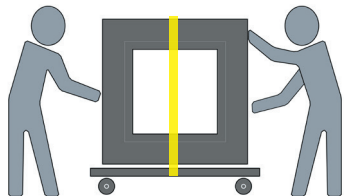
CAREFULLY LIFT UNIT FROM CRATE USING VENTILATION OPENINGS AS GRIPPING POINTS.



CAREFULLY PLACE UNIT ONTO A ROLLING DOLLY TO ASSIST IN TRANSPORTING UNIT TO FINAL POSITION.



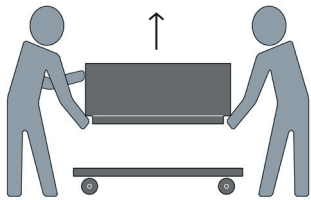
Linear and square fire features can be placed on their side for easier transportation. It's recommended the unit gets strapped to the dolly.



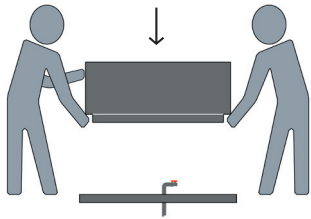
ROUND FIRE FEATURES COME WRAPPED IN PROTECTIVE LAYERING, ALLOWING THEM TO BE TURNED ON THEIR SIDE AND CAREFULLY ROLLED INTO FINAL POSITION.



CAREFULLY LIFT UNIT FROM DOLLY USING VENTILATION OPENINGS AS GRIPPING POINTS.



CAREFULLY WALK UNIT OVER FINAL POSITION AND SAFELY LOWER UNIT ONTO FINISHED FLOOR.



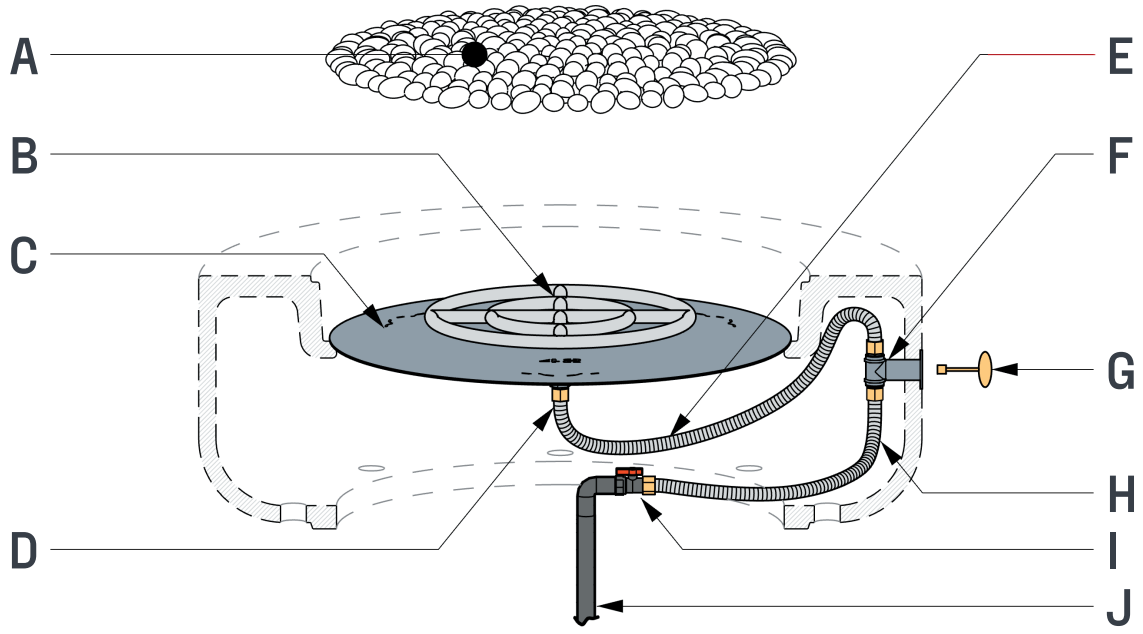
MAKE ANY FINAL ADJUSTMENTS TO THE POSITION OF THE SHELL PRIOR TO FINALIZING PLUMBING CONNECTIONS AND ADDING INFILL MEDIA.



Product Installation Guidelines

CONTENTS	PAGE
NATURAL GAS	20
PROPANE	24
BIOETHANOL	28
INFILL MEDIA	30
INFILL MEDIA WARNINGS	32

Installation Guidelines - Natural Gas



NATURAL GAS SYSTEM COMPONENTS

Infill media (A)
Chosen burner - Stainless steel or Warming Trends (B)
Burner pan (C)
Brass orifice (D)
1/2 Inch stainless steel flex lines (D & H)
Color-matched log lighter valve (F)
Color-matched log lighter key (G)
Brass ball valve shut-off (I)
Gas line (H)



SCAN TO VIEW AN INTERACTIVE 3D MODEL OF THE NATURAL GAS SET UP.

GAS LINE SETUP

Before initiating the installation, a gas professional should install a gas line (J) beneath the foundation or decking surface where your fire feature will be placed. To achieve this, the technician will first ascertain the optimal pipe size. This is based on fuel input needs (measured in BTU's/HR), gas pressure, and the distance between the gas pressure regulator and the fire feature. With the exposed end of the gas line at the final placement of the fire feature, fit an NPT brass ball valve shut-off (I), specifically designed for gas applications.

Note: Always check with your gas supplier to ensure that the gas flows and pressures are appropriate for your installation spot. Often, utility companies may upgrade meters without extra charges to support higher flows.

BURNER PAN ASSEMBLY

Your burner pan assembly is pre-fabricated with the designated burner (B) affixed atop the burner pan (C). The brass fittings culminate in a 1/2 inch flared connection at the bottom. For natural gas setups, a brass orifice (D) fitting will be in place. The selected Orifice will be aligned with the BTU output of the specific burner.

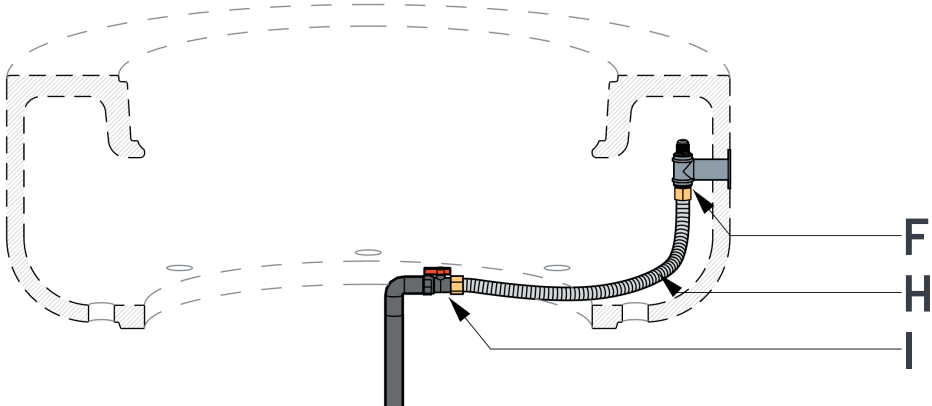
Should you need to switch fuel types for the fire table, these fittings can be readily replaced. However, NEVER use mismatched fuels with the original fittings. For support during fuel source transitions, please contact Lumacast.

Note: Ensure that you use a wrench to secure all connections; hand-tightening is not recommended. Perform a comprehensive check for any gas leaks and monitor for pressure drops over 24 hours. After verifying the absence of leaks, bury the pipes, level the terrain, and finalize the foundation. With all components securely connected, delicately reposition your burner plate within the fire feature. Your fire table is now prepped to be shifted to its final spot.

Installation Guidelines - Natural Gas

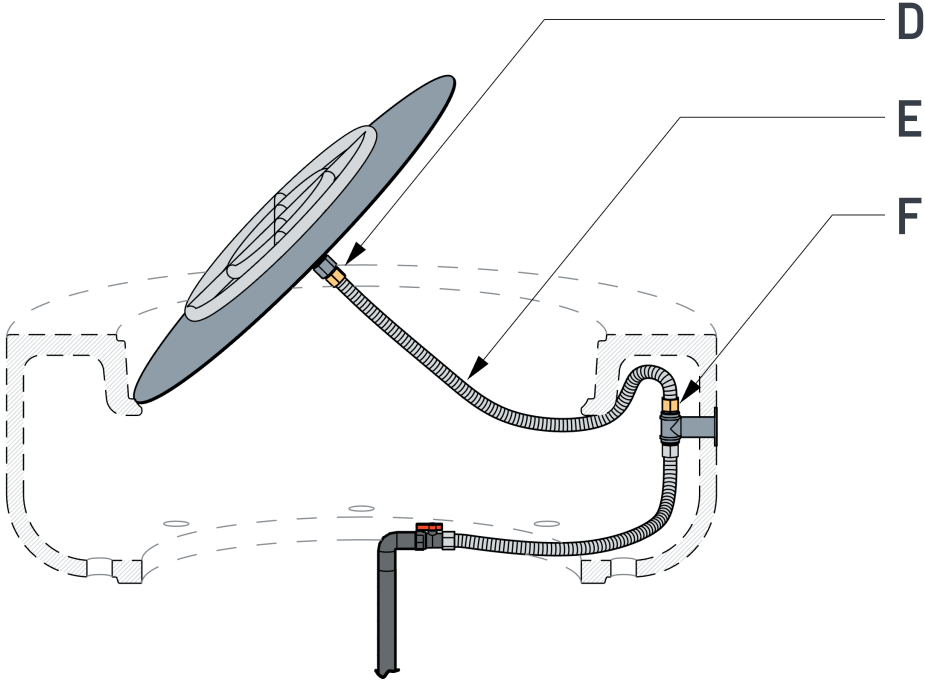
PHASE ONE

Identify the brass flared connection on the log lighter valve (F) fixed to the shell. Connect this to the stainless steel flex line (H). Subsequently, link the other end to the brass ball valve shut-off (I) linked to your gas line. With the log lighter valve (F) deactivated, employ a gas leak detector to verify the integrity of the connections.

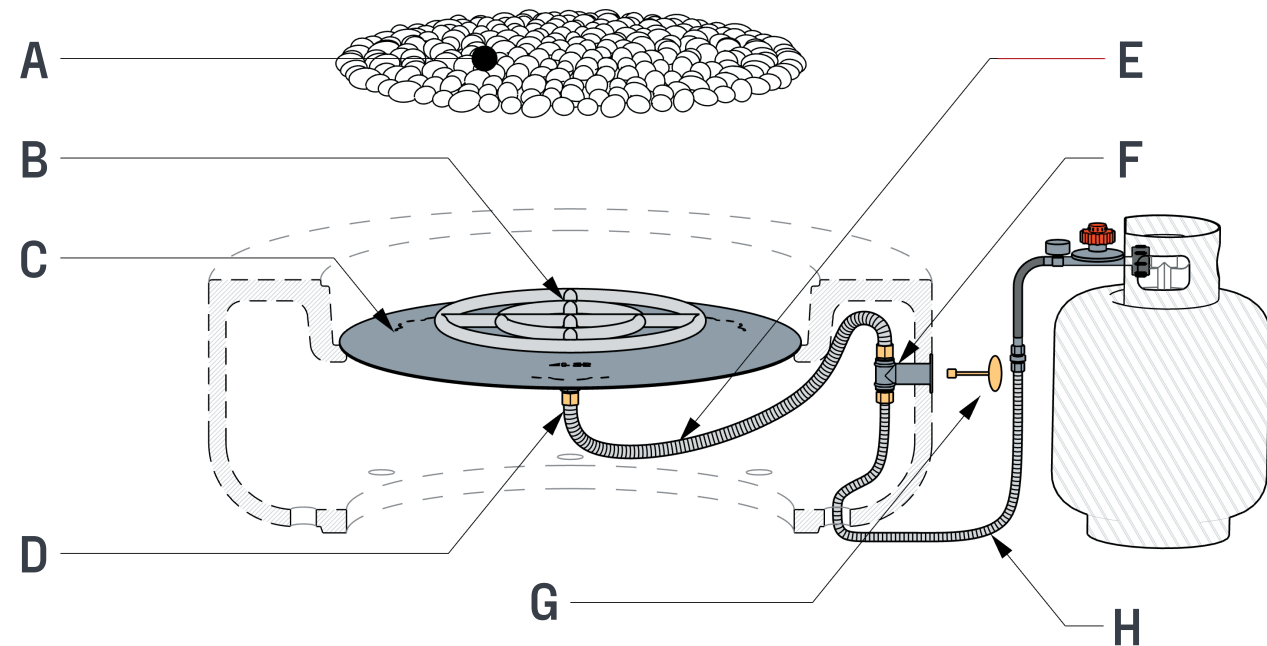


PHASE TWO

Fasten one end to the secondary flare connection on the log lighter valve (F) using another stainless steel flex line (E). Then, link the other end to the brass fitting (D) at the burner pan assembly's base. Confirm both connections are securely tightened (D & F). When lowering the burner pan assembly into place, slowly and carefully place one of the shorter ends of the stainless steel burner pan on the bottom lip of the fire table shell on the opposing end where the key valve is located. Avoid causing any abrasions or damage to the concrete finish when placing the burner pan. Given that stainless steel burner pans are crafted using a water-jet machine, their edges might be somewhat sharp or coarse. Handle with care.



Installation Guidelines - Propane



SCAN TO VIEW AN INTERACTIVE 3D MODEL OF THE PROPANE GAS SET UP.

PROPANE SYSTEM COMPONENTS

Infill media (A)

Chosen burner - Stainless steel or Warming Trends (B)

Burner pan (C)

Brass orifice fitting (D)

- With air-mixer for stainless steel burners
- Air-mixer **NOT TO BE USED WITH** Warming Trends burners

½ Inch stainless steel flex lines (D)

Color-matched log lighter valve (F)

Color-matched log lighter key (G)

Propane Kit, comes pre-assembled (H)

- Braided stainless steel hose (H1)
- High-pressure regulator (H2)

PROPANE SETUP

For those opting to utilize a hard line connection to a large liquid propane supply reservoir, kindly refer to the gas line setup on page 17. For an external propane tank setup, it's mandatory to use the included propane kit components, connecting from your fire feature to the propane storage location. This kit encompasses a pre-fitted high-pressure regulator and a 3/8 inch braided stainless steel hose. The latter should be routed beneath the fire feature's shell, linking it to the log lighter valve. It's vital to note that our fire features don't come with a propane cylinder; you'll need to arrange for one. Ensure your liquid propane supply cylinder adheres to the specifications and markings mandated by the U.S. Department of Transportation (DOT).

BURNER PAN ASSEMBLY

The burner pan assembly you'll receive has the specified burner (B) mounted on the burner pan (C). Its brass fittings end in a ½ inch flared connection at its base. Liquid propane configurations will feature a brass orifice (D). If a stainless steel burner is your choice, expect an air mixer as the orifice. However, for a warming trends brass burner, a standard brass orifice will be present. The chosen orifice will match the BTU output of the burner in use.

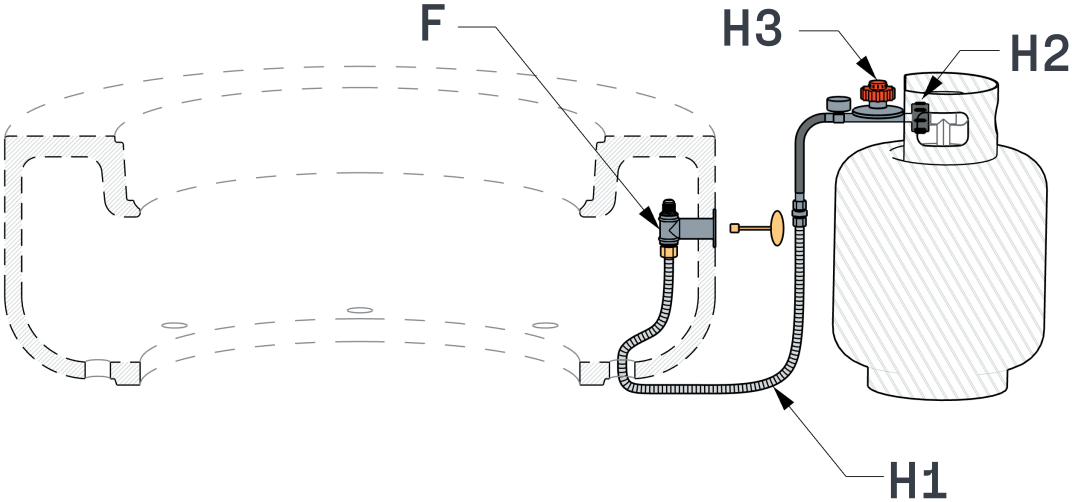
Should you need to switch fuel or swap burner types for the fire feature these fittings can be readily replaced. However, NEVER use mismatched fuels or burner types with the original fittings. For support during fuel source and burner transitions, please contact LUMACAST.

Note: Always utilize a wrench for securing connections; avoid manual tightening. Be thorough in checking for gas leaks, and keep an eye on pressure consistency for a day. Once you've ascertained no leakage, conceal the pipes, even out the area, and cement the foundation. Once done, carefully place your burner plate back into the fire feature. Your fire table is now all set for its final positioning.

Installation Guidelines - Propane

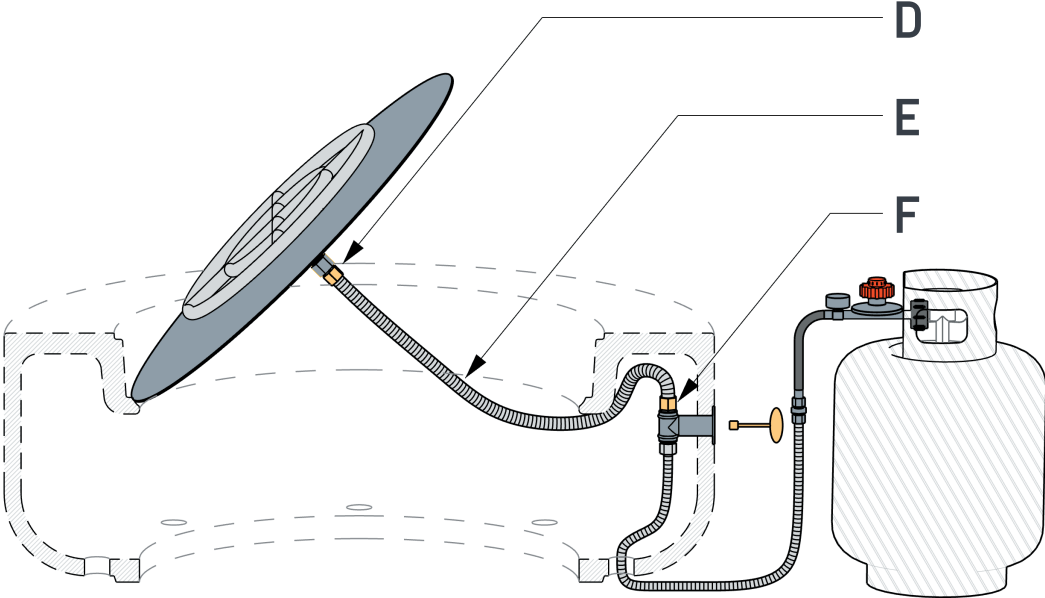
PHASE ONE

Spot the brass flared connection on the log lighter valve (F) anchored to the shell and connect it to the braided stainless steel hose (H1). Before proceeding, ensure the log lighter valve remains closed. Next, close the propane tank valve fully by turning clockwise. Attach the black connection nut (H2) from the high-pressure regulator onto the propane tank's outlet, also turning clockwise. After securing the connection nut, fully open the tank valve and inspect for any leaks. Adjust the regulator by twisting the RED PSI control valve (H3) clockwise, ensuring the gauge indicates between 3 - 5 PSI.

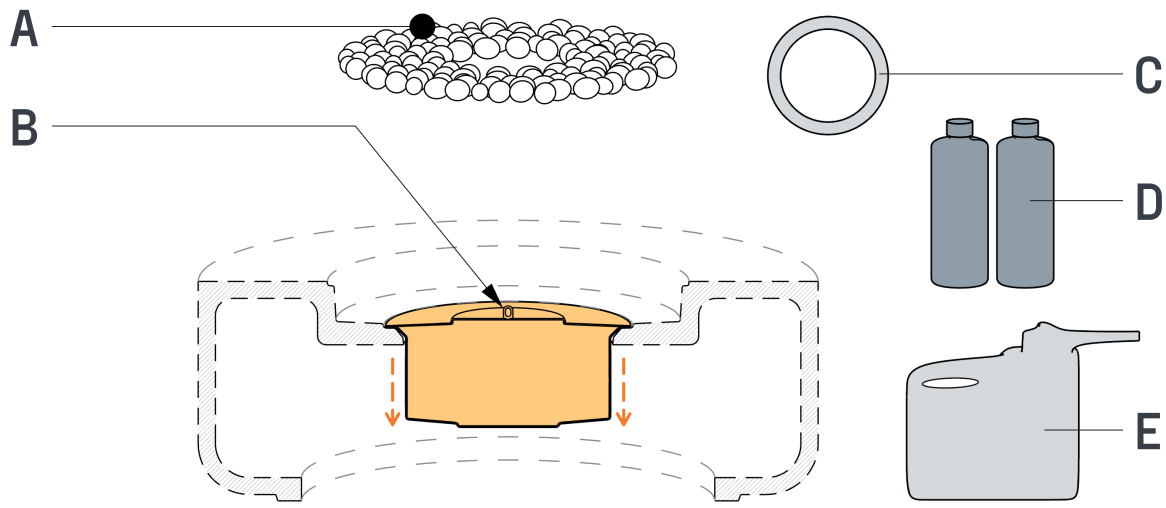


PHASE TWO

Connect one end of the stainless steel flex line (E) to the secondary flare connection on the log lighter valve (F). Then, join the opposite end to the brass fitting (D) at the base of the burner pan assembly. Double-check the tightness of both connections (D & F). When lowering the burner pan assembly into place, slowly and carefully place one of the shorter ends of the stainless steel burner pan on the bottom lip of the fire table shell on the opposing end where the key valve is located.. Avoid causing any abrasions or damage to the concrete finish when placing the burner pan. Given that stainless steel burner pans are crafted using a water-jet machine, their edges might be somewhat sharp or coarse. Handle with care.



Installation Guidelines - Bioethanol



BIOETHANOL SYSTEM COMPONENTS

Infill media (A)
EcoSmart AB8 Burner (B)
Efficiency ring (C)
e-NRG fuel (D)
Jerry can (E)



SCAN TO VIEW AN INTERACTIVE 3D MODEL OF THE BIOETHANOL SET UP.

BIOETHANOL SETUP

Requiring no plumbing or electrical connections, installation is incredibly easy. Begin by selecting a well-ventilated, open area for your fire feature, ensuring a safe distance from flammable materials (see minimum clearances, page 8). Place the LUMACAST fire table on a level surface, free from obstructions. Next, securely position the EcoSmart bioethanol burner (B) within the designated recess of the table. Fill the jerry can (E) with e-NRG bioethanol fuel (D). The manufacturer strongly encourages the use of the jerry can for system refueling as it includes several features for your safety such as an automatic stop flow, locking thumb button control, and a self-venting system. The jerry can also enables safe storage and decanting of the e-NRG fuel. Before adding fuel to the burner's reservoir, inspect the burner to check for debris or signs of damage. Carefully pour the bioethanol fuel into the burner, positioning the jerry can spout over the middle of the burner mouth taking care not to overfill.

Also refer to the included manufacturer's **Installation, Operation and Maintenance Manual** during this process if needed.



WARNING

FIRE HAZARD. DO NOT OVERFILL. FILL ONLY TO MAX MARK. NEVER LIFT THE JERRY CAN TO ALLOW FASTER FLOW – INSERT THE SPOUT FULLY AND REST IT ON THE BASE OF THE GRID. USED PROPERLY, THE JERRY CAN SPOUT WILL HELP PREVENT OVER-FILLING AND SPILLAGE.

Installation Guidelines - Infill Media

AVAILABLE INFILL



Rolled lava



Gray smooth basalt



Off-white smooth basalt



WARNING

DO NOT POUR THE BAG INTO THE BURNER AREA IN ORDER TO PREVENT DAMAGE TO THE FIRE TABLE, TO PREVENT CLOGGING THE BURNER PORTS WITH DUST AND TO PREVENT GETTING DEBRIS IN THE PILOT ASSEMBLY*.

ROLLED LAVA WITH STAINLESS STEEL BURNER

1. Insert the burner pan assembly into the fire table shell. Conduct all test burns before introducing infill media.
2. Establish a base layer of rolled lava media, extending it up to the base of the burner.
3. Layer the rolled lava on top to fully cover the stainless steel burner, ensuring a clearance of approximately 3/4" beneath the fire table's surface edge.

ROLLED LAVA WITH WARMING TRENDS BURNER

1. Insert the burner pan assembly into the fire table shell. Conduct all test burns before introducing infill media.
2. Establish a base layer of rolled lava media, extending it up to the base of the burner.
3. Layer the rolled lava on top to form a cover over the burner's horizontal tube, but ensure the vertical jets remain unobstructed, preventing the flame from directly striking the media.

*FOR FIRE FEATURES WITH ELECTRONIC IGNITION SYSTEMS

SMOOTH BASALT WITH STAINLESS STEEL BURNER

1. Insert the burner pan assembly into the fire table shell. Conduct all test burns before introducing infill media.
2. Establish a base layer of rolled lava media, extending it up to the base of the burner.
3. Layer the smooth basalt on top to form a cover over the burner's horizontal tube. Ensure the vertical jets remain unobstructed to prevent the flame from directly striking the media.

SMOOTH BASALT WITH WARMING TRENDS BURNER

1. Insert the burner pan assembly into the fire table shell. Conduct all test burns before introducing infill media.
2. Establish a base layer of rolled lava media, extending it up to the base of the burner.
3. Layer the smooth basalt on top to form a cover over the burner's horizontal tube. Ensure the vertical jets remain unobstructed to prevent the flame from directly striking the media.

SMOOTH BASALT WITH ECOSMART BURNER

1. Insert the burner assembly into the fire table shell. Conduct all test burns before introducing infill media.
2. Carefully place smooth basalt around perimeter of burner opening. Smooth basalt layer should not be more than one stone's depth.



WARNING

DO NOT OVERFILL. EXCESSIVE MATERIAL MAY IMPEDE GAS FLOW AND CAUSE GAS BUILD-UP AND POTENTIALLY CAUSE AN EXPLOSION. EXCESSIVE WEIGHT MAY ALSO PUT UNDUE STRAIN ON CONCRETE SHELL.

Infill Media Safety Warnings



**FAILURE TO OBSERVE THE FOLLOWING WARNINGS
COULD RESULT IN FIRE OR EXPLOSION, WHICH COULD
CAUSE PROPERTY DAMAGE, PERSONAL INJURY, OR
DEATH.**

APPROVED INFILL MEDIA

This appliance is specifically designed to function with approved media installed correctly over the burner for optimal combustion. Utilizing any media not approved could void the warranty and impair proper operation.

THERMAL SPALLING

All media, including rolled lava and smooth basalt, can undergo thermal spalling. This phenomenon can happen when the media is damp, causing trapped moisture within to react to rapid temperature changes. This reaction can lead the media to crack or even burst out of the fireplace. It's especially important to exercise caution when igniting in humid or wet conditions. After starting the fire, wait for at least 30 minutes to let the media dry. Observe from a safe distance until any popping stops before fully enjoying the fire.

ACCEPTANCE OF RISK

User acknowledges and accepts that the use or improper installation of fire media may result in cracking, popping, or explosion, which can cause damages to the property, bodily injury or death.

INSTALLATION AND USE

- STONES MUST BE INSPECTED BY THE USER PRIOR TO INSTALLATION. ANY STONE WITH HAIRLINE CRACKS MUST BE DISCARDED BEFORE USAGE
- Lava rock and beach stone are both 100% natural products and occasional cracking
- When using your fire pit for the first time, it is recommended to burn the fire pit for at least 1-2 hours while keeping a safe distance in the rare event that breakage or popping occurs
- Smooth basalt stones should NEVER BE PLACED DIRECTLY ABOVE BURNER OPENINGS
- Use of an all-weather cover and or tabletop will limit the possibility of thermal spalling.

Being a natural product, the infill media will change color overtime as heat is applied to it. This will be most prominent on infill media adjacent to the burner. Soot accumulation may also be possible and this is more prominent on propane-fueled fire features.

Important: The coverage of any media over the gas orifice jets can influence the flame pattern and overall performance of the fire feature. Excessive coverage can even lead to the smothering of flames. It's crucial to monitor the media placement to ensure consistent and safe flame production.

Product Operation

CONTENTS

PAGE

PRE-OPERATION GUIDELINES AND WARNINGS

34

NATURAL GAS AND PROPANE

36

BIOETHANOL38

Pre-Operation Guidelines and Warnings



ATTENTION

**FAILURE TO OBSERVE THE FOLLOWING WARNINGS
COULD RESULT IN FIRE OR EXPLOSION, WHICH COULD
CAUSE PROPERTY DAMAGE, PERSONAL INJURY, OR
DEATH.**

PRE-OPERATION GUIDELINES

For the optimal safety and performance of this appliance, adhere to the followings: Always ensure installation and repairs are carried out by a qualified service person. Prior to use, and at least once a year, have the appliance inspected by a professional; more frequent cleanings might be necessary based on usage.

The control compartment, burners, and circulating air passageways must remain pristine. Before each operation, inspect the appliance and scrutinize the hose assembly for signs of wear or damage. Should there be any indications of wear, it's essential to replace the hose assembly with a model recommended by the manufacturer before using the appliance.

If any part of the appliance has been submerged in water, refrain from using it and immediately contact a service technician to examine the appliance and replace any affected parts. Before igniting, ensure you don't detect a gas odor around the appliance, especially near the burner and the fire table's base. If gas is detected, do not attempt to ignite. Instead, shut off the manual valve, vacate the vicinity, and promptly alert your gas provider.

- Do not alter any component or design of this unit as it may alter the operation and result in injury, property damage and/or death. Altering unit will also automatically void warranty.
- Never attempt to disconnect the gas regulator from a propane tank or disconnect a gas fitting from the appliance or the main gas supply while the appliance is in use.
- Children and pets should be supervised when they're in the area of the fire feature.
- This fire feature is not intended for cooking. Do not place anything on or in fire feature
- Children and adults should be alerted to the high surface

temperatures on this appliance during and after use and avoid the burner area and other hot surfaces until it has cooled down in order to avoid burns or igniting clothing.

- Never use fire feature in extremely windy conditions.
- Clothing or other flammable materials should not be hung from the appliance or placed on or near the appliance.
- Do not touch hot surfaces, hot media (rocks/glass/etc.) or open flames.
- Do not reach, jump, or walk across unit, media or open flames.
- Do not ignite fire feature when media is wet. Doing so may cause media to crack and burst.
- It is important to inspect your fire feature before every use. Make sure there are no obstructions or combustible materials on or near unit.
- Wipe down surface of unit before every use and immediately clean any spills or messes on or around unit.
- Consistently check hoses and fittings for cracks, abrasions and leaks (at least once a month).
- Use an all-weather cover or tabletop insert when not in use.
- Appliance should be serviced annually by a professional gas technician certified in the United States by the National Fireplace Institute (NFI). Any parts that require replacement should be replaced only by a certified service professional using parts recommended by manufacturer.
- Lumacast utilizes CSA certified components. Installation must conform to local codes, National Fuel Gas Code ANSI Z223.1/NFPA and/or National Fuel Gas Code.
- Do not use appliance if any part has been under water. Immediately call a qualified service technician to inspect the appliance and to replace any part of the electronic ignition control system (if installed) that has been under water.
- Do not store or use gasoline, or other flammable vapors and liquids, in the vicinity of this or any other appliance.
- An LP-cylinder not connected for use shall not be stored in vicinity of this or any other appliance.

Operation - Natural Gas & Propane

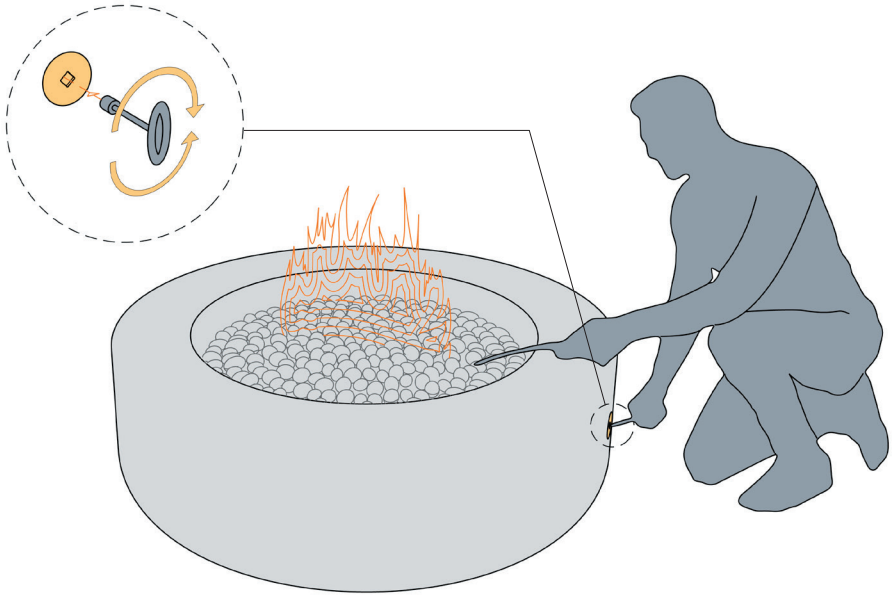
MANUAL IGNITION

This is the standard ignition option for residential use. It involves the simple operation of turning a 1/4 turn log lighter valve to open the gas supply line while holding a butane lighter wand over the burner. Once ignited, the flame height can be controlled by increasing or decreasing the gas supply by adjusting the same log lighter valve.

ELECTRONIC IGNITION

an optional upgrade every LUMACAST Fire Table can be set up with. This includes the ignition control box and pilot connected to your burner pan set-up. The control box will need to be wired directly to the included 24vac transformer and hardline to the dedicated circuit. Once connected this way, the fire table can be ignited by simply activating any electronic switch on the circuit.

for further information, see additional paperwork on electronic ignition.



MANUAL IGNITION - LIGHTING AND ADJUSTMENT

1. Hold the butane lighter wand just slightly above the infill media and above the location of the burner. While taking care to keep your face and body leaned back away from the burner and only extending your arm forward, ignite the lighter wand.
2. Slowly open the valve by turning the key COUNTERCLOCKWISE. Adjusting the flames to the desired height; turning COUNTERCLOCKWISE increases flame height, turning CLOCKWISE decreases the flame height.
NOTE: During windy conditions, decrease flame height.
3. Once the flames are at the desired height, relax and enjoy your fire feature experience
4. To turn off the fire feature, simply turn the key CLOCKWISE until you feel the valve fully close and the flame is extinguished.



ALLOW APPLIANCE TO COOL DOWN BEFORE PLACING AN ALL-WEATHER COVER OR TABLETOP ONTO THE UNIT.

Operation - Bioethanol

Bioethanol - LIGHTING AND ADJUSTMENT

1. Remove burner lid and dip the lighting rod into burner reservoir to wet the end.
2. Lift the lighting rod away from the burner.
3. Ignite the lighter and make contact with the lighting rod as if lighting a candle.
4. Drip the ignited rod into the burner reservoir to ignite the contained fuel.
NOTE: If the flame on the lighting rod dies before reaching the burner, repeat the procedure until successful.
5. Put out any residual flame on lighting rod, and put it away.
6. To TURN OFF: Use the hook at the end of the lighting rod to place burner lid over burner opening. Ensure lid has fully made contact with burner reservoir surface or flame may not extinguish.



ALLOW APPLIANCE TO COOL DOWN FOR AT LEAST 60 MIN. BEFORE RE-FUELING AND OR PLACING A TABLETOP / ALL-WEATHER COVER ONTO THE UNIT.

Care, Storage & Maintenance

CONTENTS	PAGE
CARING FOR YOUR FIRE FEATURE	18
CARING FOR YOUR BURNER SYSTEM	22
STORAGE	26
WARRANTY INFORMATION	28

Caring for Your Fire Feature

SUMMARY

Regular maintenance and safety checks of your fire feature are crucial. By adhering to proper care routines, you can prolong the lifespan of both the product and its individual parts.

CONCRETE SHELL

Your LUMACAST product has been sealed to resist staining, scratching, and heat caused by reasonable wear and tear encountered during regular use in an indoor or outdoor environment. Please use caution to wipe up spills in a timely fashion, especially with highly acidic beverages. Avoid cutting or chopping food on your concrete surface, as it may abrade the sealer and most likely dull your cutlery.

Observing a hairline crack on the finish of your fire feature shouldn't cause concern; it's a typical trait of concrete and doesn't indicate a defect. The internal concrete benefits from glass fiber reinforcement, ensuring such cracks don't expand further.

Lumacast recommends cleaning your concrete with mild, non-abrasive all-purpose household cleaners such as "Method" or "Seventh Generation" Spray-Cleaner. We also recommend "Pledge Specialty Surface Cleaner" as an all-in-one cleaner and protector. Please do not use harsh chemicals, as they may damage the sealer. Periodic cleaning with mild cleaning products is suggested to maintain the smooth look and finish of the concrete.

TABLETOPS

Lumacast recommends cleaning your aluminum or wood-faced composite tabletop with mild, non-abrasive all-purpose household cleaners such as "Method" or "Seventh Generation" Spray-Cleaner. We also recommend "Pledge Specialty Surface Cleaner" as an all-in-one cleaner and protector. Please do not use harsh chemicals, as they may damage the powercoat on the aluminum and the epoxy on the composite tabletops. Periodic cleaning with mild cleaning products is suggested to maintain the smooth look and finish of the tabletops.

Caring for Your Burner Systems

NATURAL GAS & PROPANE BURNER ASSEMBLY

Annually inspect and clean the burner. If you detect any signs of damage, replace the burner assembly before using the appliance. Ensure that the replacement parts meet the standards of the set forth by Lumacast. Keep in mind that stainless steel will rust or corrode over time if contamination or debris is not cleaned or removed. To examine and clean the burner pan and ring, proceed with the following instructions:

1. Remove the infill media and examine the burner. Vacuum and clean it as necessary.
2. Inspect the burner and burner assembly for warping and corrosion. Repair or replace components as necessary.
3. Verify that the holes on a stainless burner or the nozzles on Warming Trends burner are not clogged with debris. Clear as necessary.
4. Clean the burner and burner assembly with a soft wire brush.
5. On stainless burner assemblies, verify that the air mixer is clear of spider webs, insects and debris (the air mixer is located on the underside of the burner assembly).
6. Verify that the stainless steel flex lines are tight and undamaged. Tighten and/or replace as necessary.
7. Perform a leak test.

ECOSMART AB8 BURNER

Clean your unit after you have used 50 liters [13.20 Gal.] of fuel, as soon as you notice black deposits on or near the Burner, or if your burner smells unusually strong. When empty and cold, remove the Burner from its setting and wash the Burner in hot, soapy water and rinse thoroughly under running water. Let it dry before replacing in unit.

1. When the fire is off and empty, use a vacuum cleaner for general cleaning on visible surface.
2. Brush/scrape the black material gently from the vents and lid towards the bottom inside of the Burner.
3. Use a vacuum cleaner to remove residue inside the Burner, and around the top opening of the burning zone.
4. To finish cleaning use a damp disposable cloth and wipe until no residue remains.

Also refer to the included manufacturer's EcoSmart's **Installation, Operation and Maintenance Manual** during this process if needed.

Storage

For appliances running on natural gas or propane, you can store them indoors once you've disconnected the gas source. However, bioethanol models, which are suitable for both indoor and outdoor use, can be stored indoors without taking any special precautions.

Always store propane cylinders in an outdoor setting, keeping them out of the reach of children. It's crucial to avoid storing them in enclosed areas, in direct sunlight, or near sources of heat or open flames. Ensure that the cylinders have a dust cap when stored.

To ensure longevity and protect your fire feature from environmental factors, always use an all-weather cover when it's not being utilized. Allow the appliance adequate time to cool before placing the cover. It's important to note that the warranty doesn't encompass damage to the cover, burner elements, or concrete finish resulting from heat or burns.

Manufacturers such as EcoSmart Fire, Fire By Design, and Warming Trends mandate the use of a cover for warranty claims to be valid on their products.

AII-WEATHER COVER LINEAR



AII-WEATHER COVER ROUND



Warranty Information

SUMMARY

Lumacast, Inc. offers products backed by a non-transferable limited warranty and robust customer support services for your convenience. Many elements of our products are handcrafted, hand-finished, and utilize natural materials, leading to slight differences in color, finish, and dimensions. All items evolve and age naturally over time, influenced by factors like usage, heat, and flame. Such transformations are integral to the item's character as a fire feature.

Lumacast, Inc. warrants to the original purchaser of its products that such products will be free from defects in materials and workmanship under normal use and service for the following periods from the date of purchase

WARRANTY PERIODS

RESIDENTIAL - RETIAL

TEN-YEAR WARRANTY PERIOD from the date of purchase on the stainless burner system components.

FIVE-YEAR WARRANTY PERIOD from the date of purchase on the concrete shell and Lumacast-produced accessories like aluminum and wood-faced composite tabletops.

ONE-YEAR WARRANTY PERIOD from the date of purchase on third-party accessories such as all-weather covers, glass wind guards, and propane kits.

COMMERCIAL - RETIAL

TWO-YEAR WARRANTY PERIOD from the date of purchase on the stainless burner system components.

ONE-YEAR WARRANTY PERIOD from the date of purchase on the concrete shell and Lumacast-produced accessories, as well as third-party accessories.

RESIDENTIAL & COMMERCIAL - OVERSTOCK

ONE-YEAR WARRANTY PERIOD from the date of purchase on the concrete shell and Lumacast-produced accessories, as well as third-party accessories.

For further warranty information consult the warranty documentation provided in your Product Documentation Packet

Product Troubleshooting

CONTENTS	PAGE
BURNER WILL NOT LIGHT	18
BURNER WILL NOT STAY LIT	22
NOISE	26
UNIT IS SMOKING	28
FLAME IS TOO HIGH OR TOO LOW	28
UNIT IS PRODUCING UNWANTED ORDORS	28

Troubleshooting & Solutions

BURNER WILL NOT LIGHT

POSSIBLE CAUSE	HOW TO FIX
Air in gas line	If newly installed, it may take several attempts to purge air from line. If newly installed, it may take several attempts to purge air from line.
Debris in gas line	Confirm gas line is clear and free of obstruction (insulation, dirt, excess pipe sealer, water etc.). Clearing line of debris may require help from a professional.
Improper gas pressure	Confirm gas line is clear and free of obstruction (insulation, dirt, excess pipe sealer, water etc.). Clearing line of debris may require help from a professional.

BURNER WILL NOT STAY LIT

POSSIBLE CAUSE	HOW TO FIX
Improper gas pressure	Natural Gas Units: Have a gas professional confirm gas pressure. Propane Gas Units: Check if tank is low or empty, may need to be refilled or replaced.
Improperly applied infill media	Media may be too dense; media will need to be reduced and evenly spread.

NOISE

Note: only use gas lines supplied by Lumacast as they have been tested for noise.

POSSIBLE CAUSE	HOW TO FIX
Gas hose restrictions	Remove any tight bends or kinks in gas supply hose
Excessive gas flow	Check gas regulator and reset if not within factory recommendations.

UNIT IS SMOKING

POSSIBLE CAUSE	HOW TO FIX
Poor fuel quality	Natural Gas Units: contact your local gas company Propane Gas Units: Inspect propane tank and hose, one or both may need to be refilled or replaced.
Excessive flame blockage	Separate and spread infill media evenly to allow flames to spread and pass-through media more evenly.
Improper air/ fuel mixture	Remove any foreign items or other combustible materials from unit & check for proper orifice sizing.

FLAME IS TOO HIGH OR TOO LOW

POSSIBLE CAUSE	HOW TO FIX
Incorrect gas supply pressure	Natural Gas Units: contact your local gas company Propane Gas Units: Inspect propane tank and hose, one or both may need to be refilled or replaced.
Blocked burner ports or burner orifice	Clear burner ports and orifice of foreign particles or debris and wipe clean.
Improper orifice size	Verify burner orifice is the proper size for the fuel being used.

UNIT PRODUCING UNWANTED ODORS

POSSIBLE CAUSE	HOW TO FIX
Gas leak	DO NOT OPERATE - turn off key valve but leave gas source on/open. (The gas should be flowing through the hose up to the igniter valve) Inspect hose(s), check for any leaks at all connections and fittings by using soapy water checking for bubbles. If a leak is found, turn off gas immediately and consult factory about replacing damaged/defective component. If no leak is found: Natural Gas Units: contact your local gas company to inspect. Propane Gas Units: inspect propane tank for damage or defect, tank may need to be replaced.