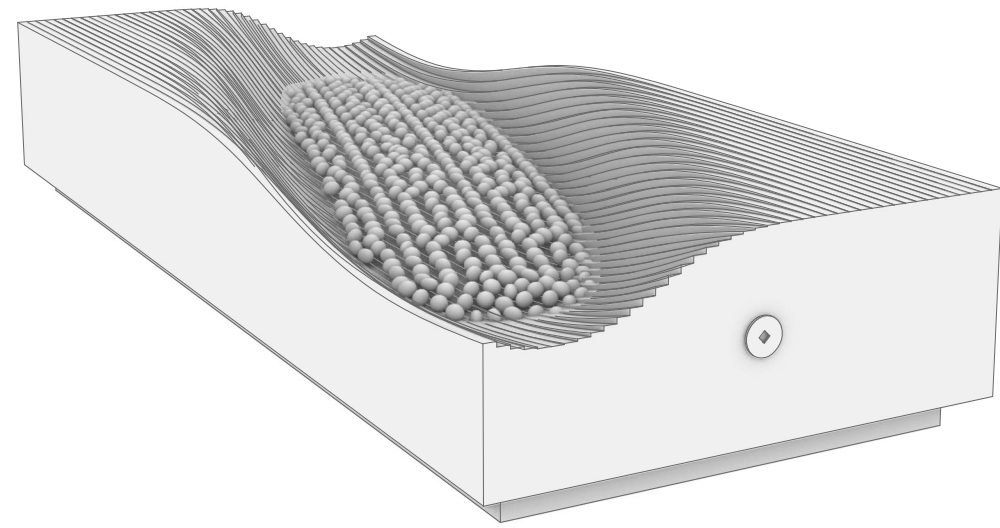
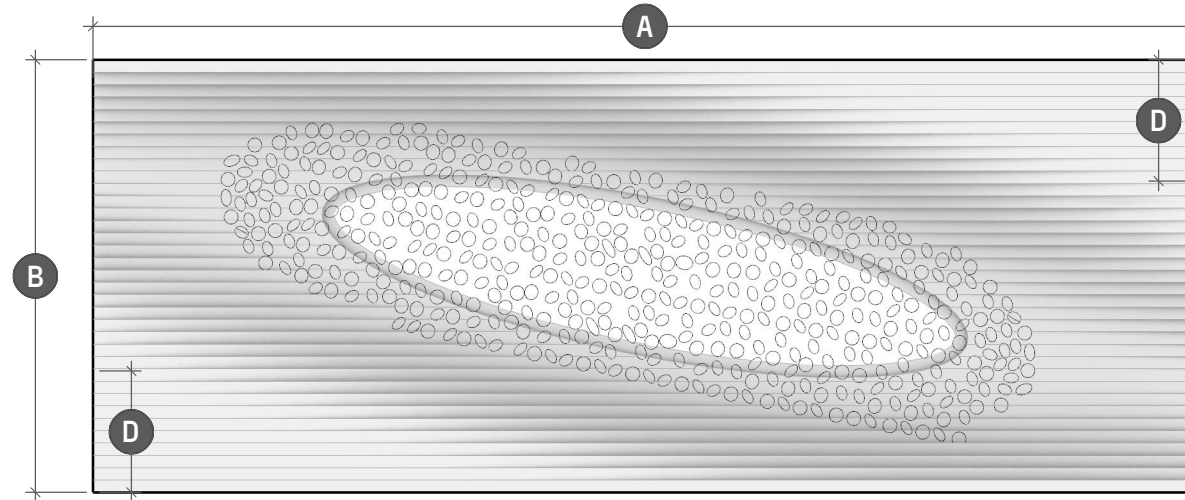


CINTA FIRE TABLE

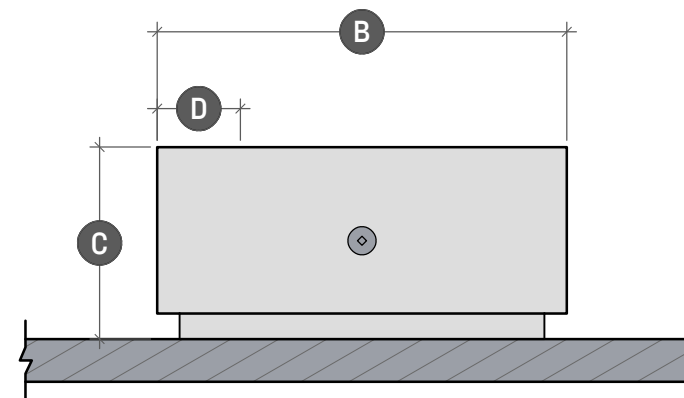


CN.1.1 PERSPECTIVE VIEW
SCALE: NA

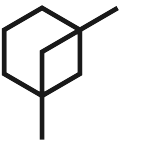
	CINTA 72	CINTA 82	CINTA 92		
Length	A - 72"	A - 82"	A - 92"		
Width	B - 32"	B - 32"	B - 36"		
Height	C - 14"	C - 14"	C - 14"		
Surface	D - 5"	D - 7"	D - 13"		



CN.1.2 PLAN VIEW
SCALE: 1" = 1' - 3"



CN.1.3 SIDE ELEVATION
SCALE: 1" = 1' - 3"



LUMACAST

3261 National Ave
San Diego, CA 92113
t: +1 888 710 1026
www.lumacast.com

PROJECT INFORMATION

PROJECT:
LUMACAST FIRE TABLE
CINTA

DESIGNER:
LUMACAST

DRAWING INFORMATION

DRAWING PACKAGE:
2D SHOP DRAWINGS
SHEET CONTENTS:
COVER SHEET

MORE INFORMATION



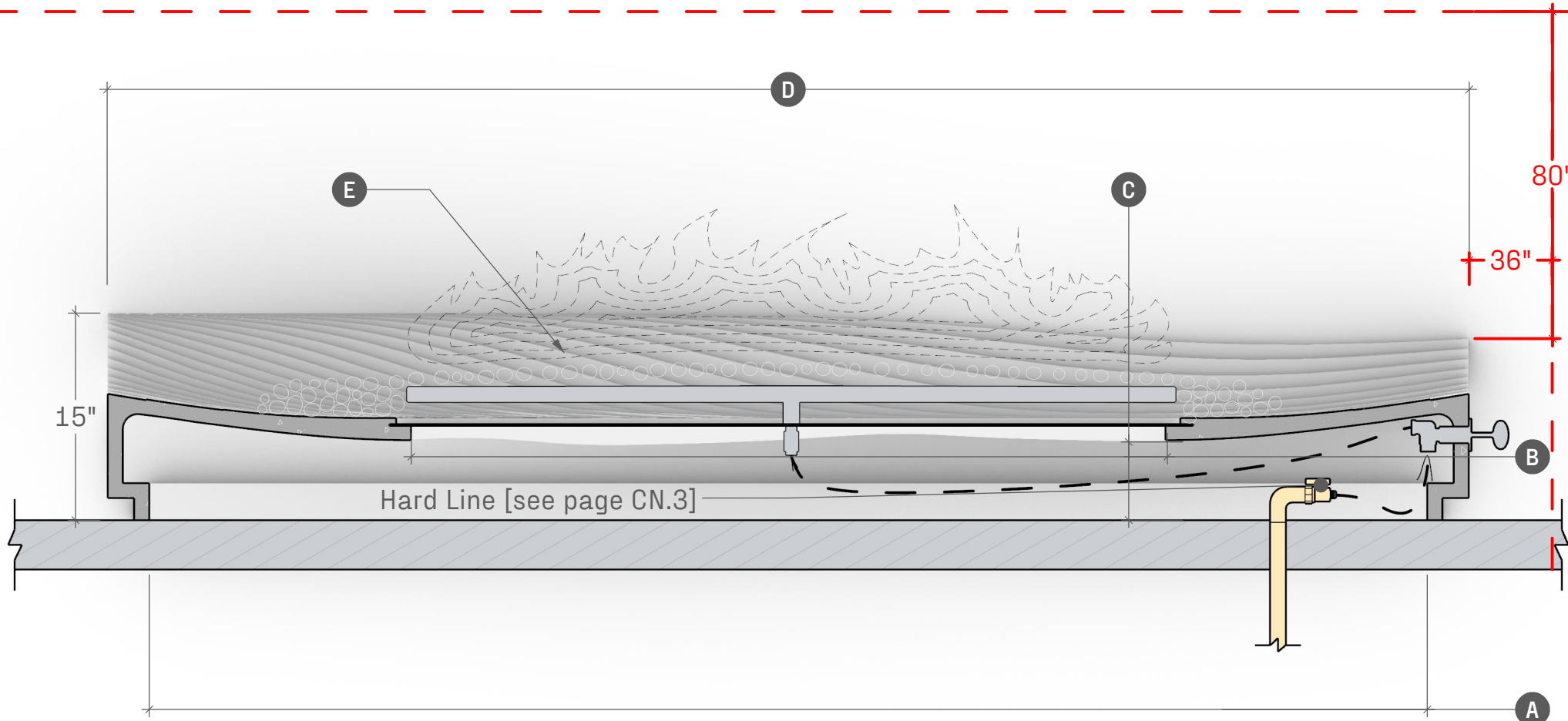
SCAN TO LEARN MORE

AUTHOR	AUTHOR
EGI	09/23

CN.1

SHEET NO

MINIMUM CLEARANCES TO COMBUSTIBLES



CN.2.1 SECTION DETAIL
SCALE: 1" = 0' - 8"

	CINTA 72	CINTA 82	CINTA 92		
Opening at Base	A - 66" x 26"	A - 76" x 26"	A - 86" x 30"		
Burner Pan Access	B - 42" x 11"	B - 52" x 11"	B - 52" x 11"		
Burner Pan Height	C - 5 1/2"	C - 5 1/2"	C - 5 1/2"		
Length	D - 72" x 32"	D - 82" x 32"	D - 92" x 36"		
Burner Options	E - - -	E - - -	E - - -		
Stainless Steel Burner	125,000 BTU	150,000 BTU	150,000 BTU		
Warming Trands Burner	210,000 BTU	270,000 BTU	270,000 BTU		
Crated Dimensions	36"x76"x24"	36"x86"x24"	40"x96"x24"		
Shipping Weight	960 LBs	1,100 LBs	1,230 LBs		
Shell Weight	460 LBs	510 LBs	560 LBs		

! WARNINGS !

FOR OUTDOOR USE ONLY

POTENTIAL CARBON MONOXIDE HAZARD

Do not store or use flammable liquids in the vicinity of this product

To be installed by licensed plumber or contractor

TYPICAL CLEARANCES

36" of clearance from the side elevations of the fire table

80" of clearance from the top surface of the fire table

NATURAL GAS SUPPLY

Ensure that the service supplying the fire feature is fitted with a positioned shut off valve that is easily accessible

SUPPLY PRESSURE

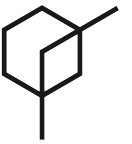
Minimum - 3.5" WC

Normal - 7.0" WC

Maximum - 14.0" WC (1/2psi)

- - -

Check with local inspector if any further specifications are required for permitted installations



LUMACAST

3261 National Ave
San Diego, CA 92113
t: +1 888 710 1026
www.lumacast.com

PROJECT INFORMATION

PROJECT:
LUMACAST FIRE TABLE
CINTA

DESIGNER:
LUMACAST

DRAWING INFORMATION

DRAWING PACKAGE:
2D SHOP DRAWINGS
SHEET CONTENTS:
SPECIFICATIONS

MORE INFORMATION

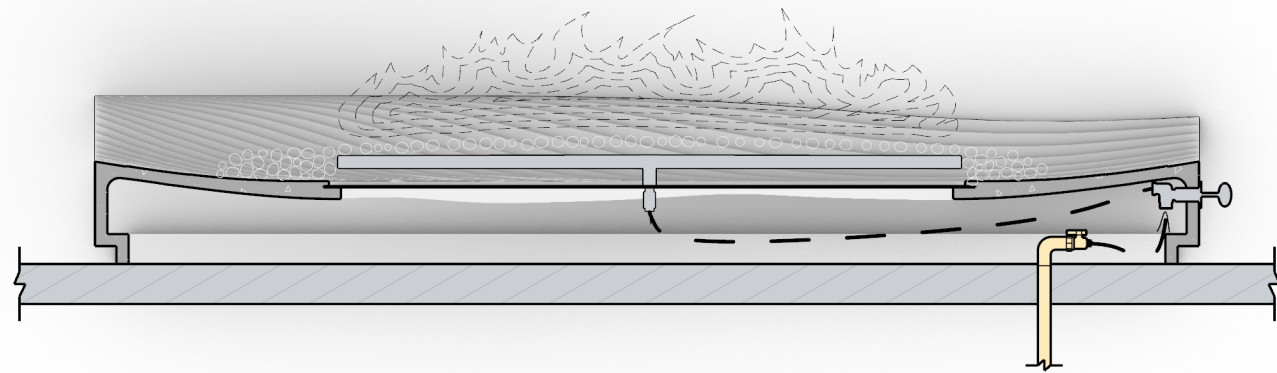


SCAN TO LEARN MORE

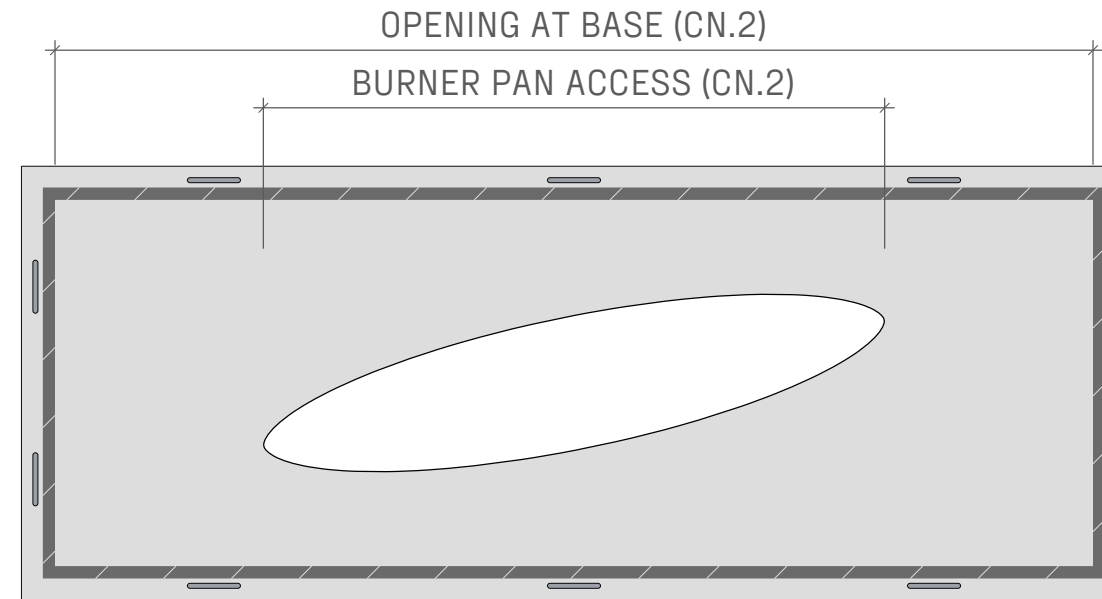
AUTHOR AUTHOR
EGI 09/23

CN.2

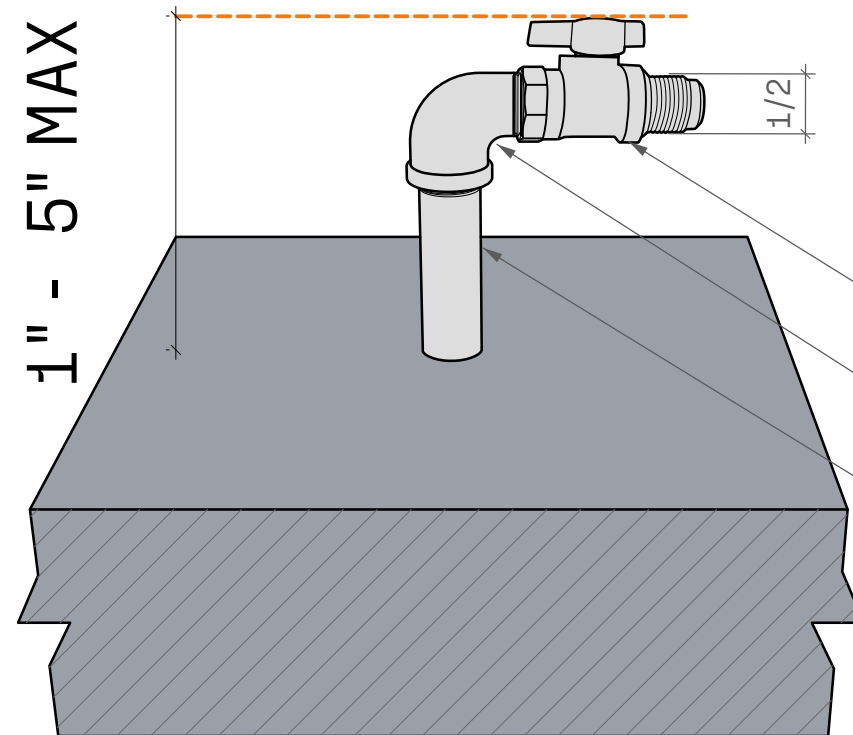
SHEET NO



CN.3.1 SIDE SECTION
SCALE: 1" = 1' - 0"



CN.3.2 PLAN VIEW
SCALE: 1" = 1' - 0"



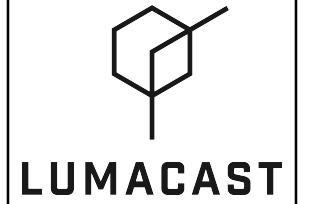
CN.3.3 PERSPECTIVE
SCALE: n/a

- BRASS FNPT X FLARE GAS BALL VALVE: 1/2"
- STREET ELBOW
- GALVANIZED NIPPLE 3/4" - 1" DEPENDING ON BTU SEE PLUMBER

PLUMBING HARD LINE

For successful installation, hardline stub up should be capped off between 1" and 5" off finished floor.

Lumacast White Glove Delivery and Installation can only be done on IPS Piping



3261 National Ave
San Diego, CA 92113
t: +1 888 710 1026
www.lumacast.com

PROJECT INFORMATION

PROJECT:
LUMACAST FIRE TABLE
CINTA

DESIGNER:
LUMACAST

DRAWING INFORMATION

DRAWING PACKAGE:
2D SHOP DRAWINGS
SHEET CONTENTS:
HARDLINE DIAGRAM

MORE INFORMATION



SCAN TO LEARN MORE

AUTHOR	AUTHOR
EGI	09/23

CN.3

SHEET NO