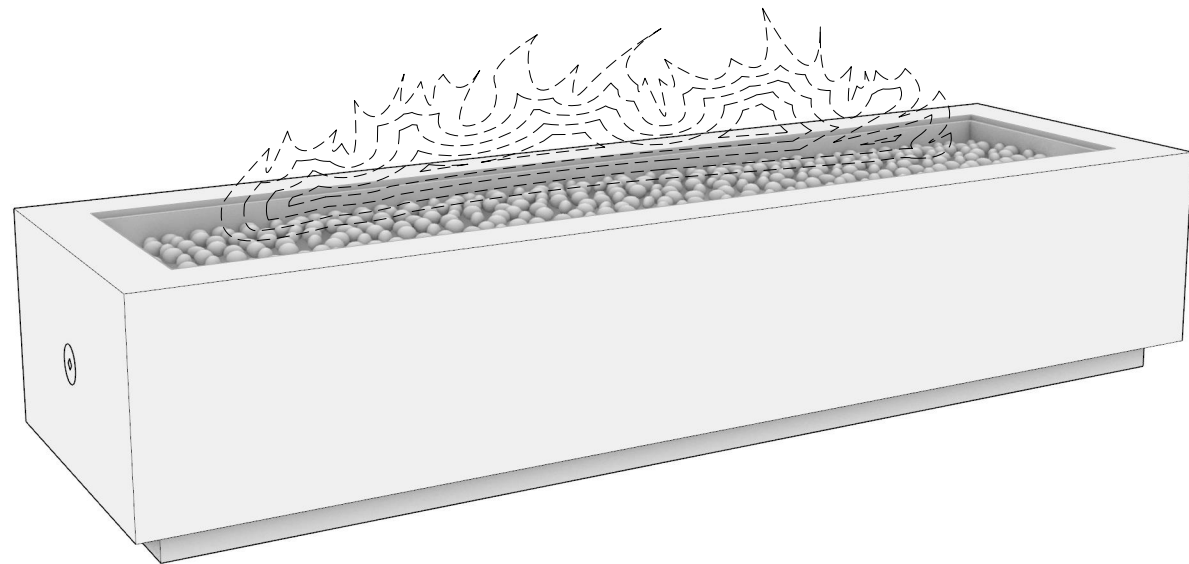
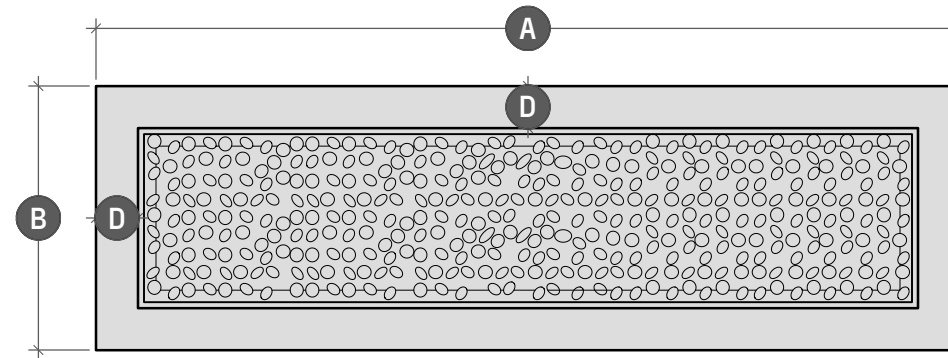


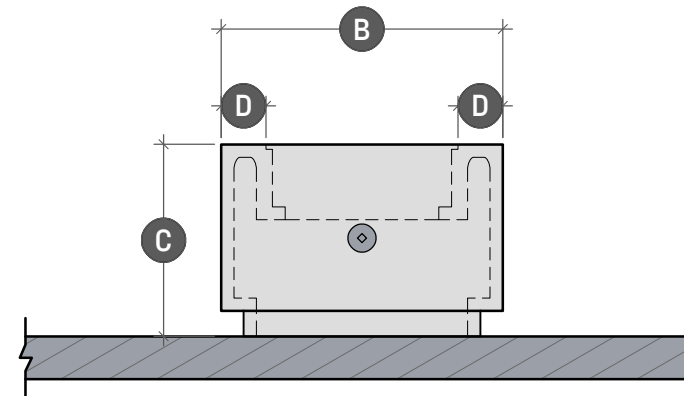
# BLOC slim FIRE TABLE



BLs.1.1 PERSPECTIVE VIEW  
SCALE: NA



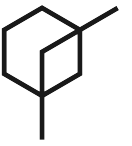
BLs.1.2 PLAN VIEW  
SCALE: 1" = 1' - 3"



BLs.1.3 SIDE ELEVATION  
SCALE: 1" = 1' - 3"

	BLOC slim 52	BLOC slim 62	BLOC slim 72	BLOC slim 82
Length	A - 52"	A - 62"	A - 72"	A - 82"
Width	B - 22"	B - 22"	B - 22"	B - 22"
Height	C - 15"	C - 15"	C - 15"	C - 15"
Surface	D - 3 1/2"	D - 3 1/2"	D - 3 1/2"	D - 3 1/2"

AVAILABLE IN QUICK SHIP
BLOC slim 62
BLOC slim 72



**LUMACAST**

3261 National Ave  
San Diego, CA 92113  
t: +1 888 710 1026  
www.lumacast.com

**PROJECT INFORMATION**

PROJECT:  
LUMACAST FIRE TABLE  
BLOC slim

DESIGNER:  
LUMACAST

**DRAWING INFORMATION**

DRAWING PACKAGE:  
2D SHOP DRAWINGS  
SHEET CONTENTS:  
COVER SHEET

**MORE INFORMATION**



SCAN TO LEARN MORE

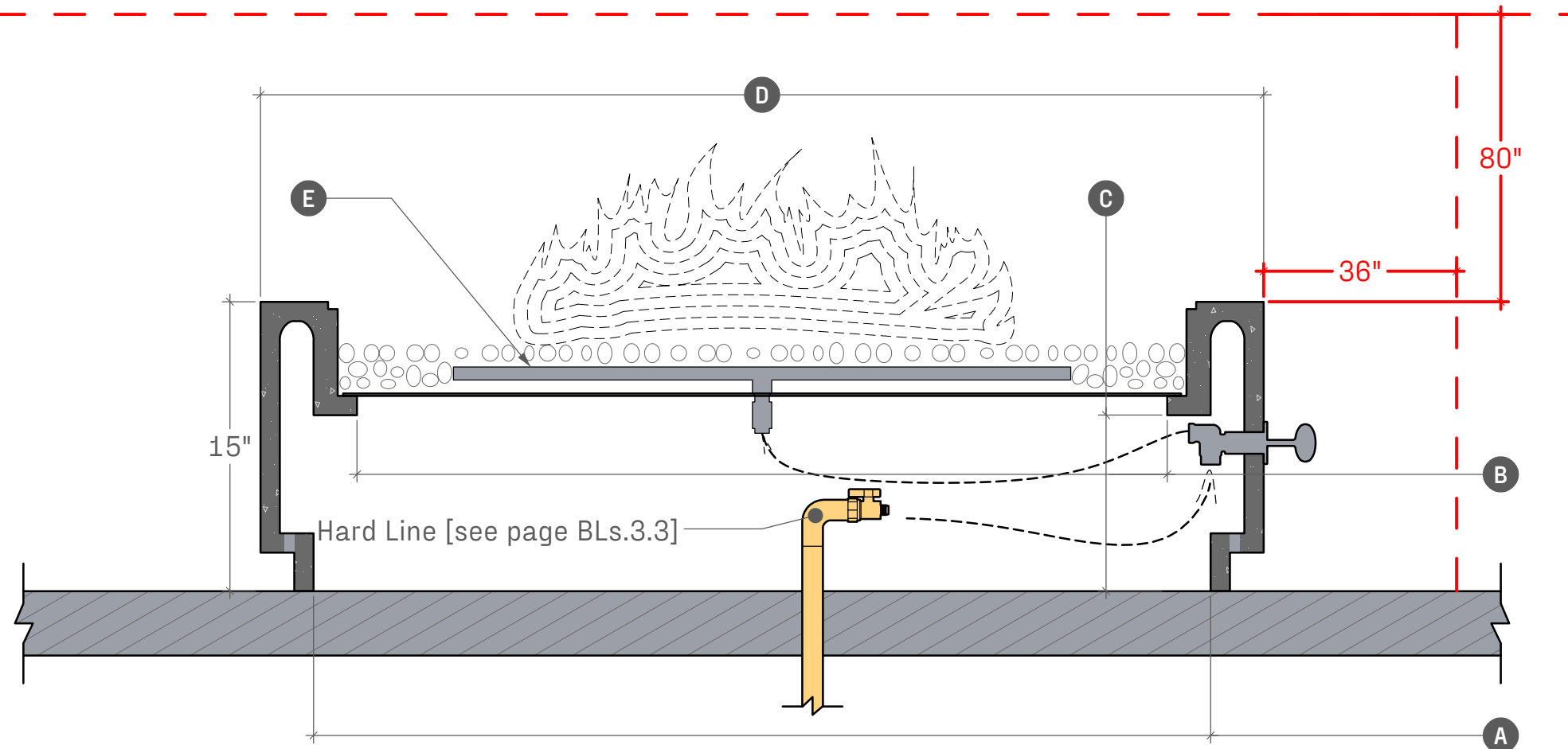
AUTHOR      AUTHOR  
EGI          10/23

**BLs**

**.1**

SHEET NO

**MINIMUM CLEARANCES TO COMBUSTIBLES**



BLs.2.1 SECTION DETAIL  
SCALE: 1" = 0' - 8"

**WARNINGS**

FOR OUTDOOR USE ONLY

POTENTIAL CARBON MONOXIDE HAZARD

Do not store or use flammable liquids in the vicinity of this product

To be installed by licensed plumber or contractor

**TYPICAL CLEARANCES**

36" of clearance from the side elevations of the fire table

80" of clearance from the top surface of the fire table

**NATURAL GAS SUPPLY**

Ensure that the service supplying the fire feature is fitted with a positioned shut off valve that is easily accessible

**SUPPLY PRESSURE**

Minimum - 3.5" WC

Normal - 7.0" WC

Maximum - 14.0" WC (1/2psi)

Check with local inspector if any further specifications are required for permitted installations

	BLOC slim 52	BLOC slim 62	BLOC slim 72	BLOC slim 82
<b>Opening at Base</b>	A - 46" x 16"	A - 56" x 16"	A - 66" x 16"	A - 76" x 16"
<b>Burner Pan Access</b>	B - 40" x 10"	B - 50" x 10"	B - 60" x 10"	B - 70" x 10"
<b>Burner Pan Height</b>	C - 9"	C - 9"	C - 9"	C - 9"
<b>Length</b>	D - 52" x 22"	D - 62" x 22"	D - 72" x 22"	D - 82" x 22"
<b>Burner Options</b>	E - - -	E - - -	E - - -	E - - -
Stainless Steel Burner	<b>75,000 BTU</b>	<b>100,000 BTU</b>	<b>125,000 BTU</b>	<b>150,000 BTU</b>
Warming Trands Burner	<b>170,000 BTU</b>	<b>210,000 BTU</b>	<b>270,000 BTU</b>	<b>320,000 BTU</b>
<b>Crated Dimensions</b>	56"x26"x24"	66"x26"x24"	76"x26"x24"	86"x26"x24"
<b>Shipping Weight</b>	520 LBS	615 LBS	700 LBS	800 LBS
<b>Shell Weight</b>	250 LBS	290 LBS	325 LBS	365 LBS



**LUMACAST**

3261 National Ave  
San Diego, CA 92113  
t: +1 888 710 1026  
www.lumacast.com

**PROJECT INFORMATION**

PROJECT:  
LUMACAST FIRE TABLE  
BLOC slim

DESIGNER:  
LUMACAST

**DRAWING INFORMATION**

DRAWING PACKAGE:  
2D SHOP DRAWINGS  
SHEET CONTENTS:  
SPECIFICATIONS

**MORE INFORMATION**



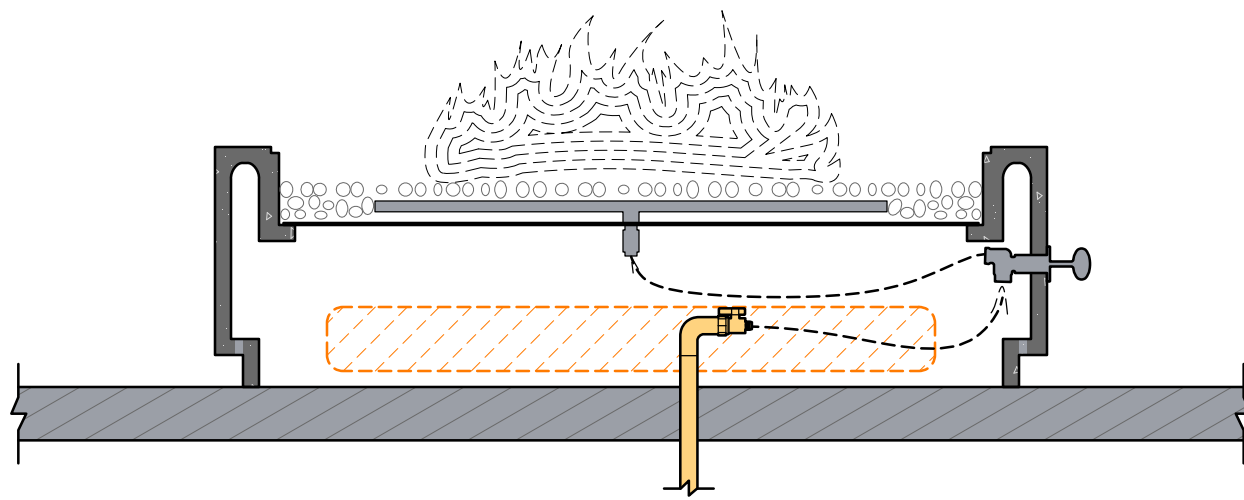
SCAN TO LEARN MORE

AUTHOR AUTHOR  
EGI 10/23

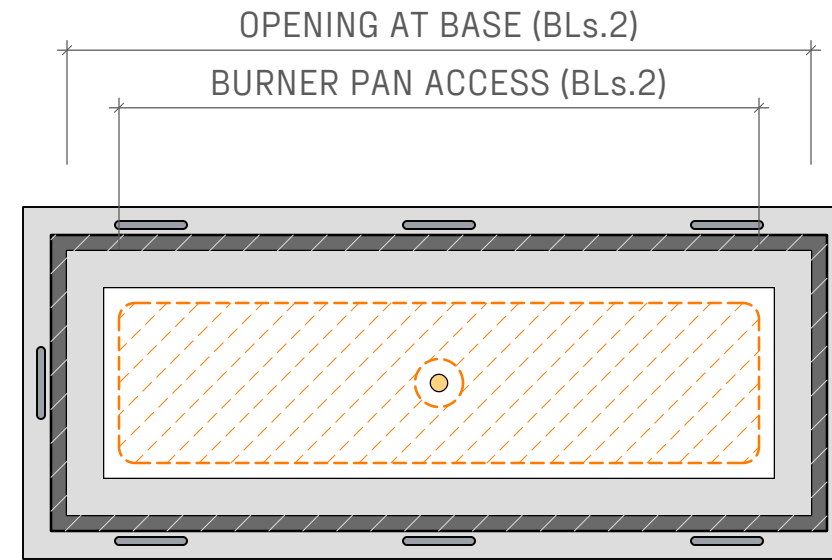
**BLs**

**.2**

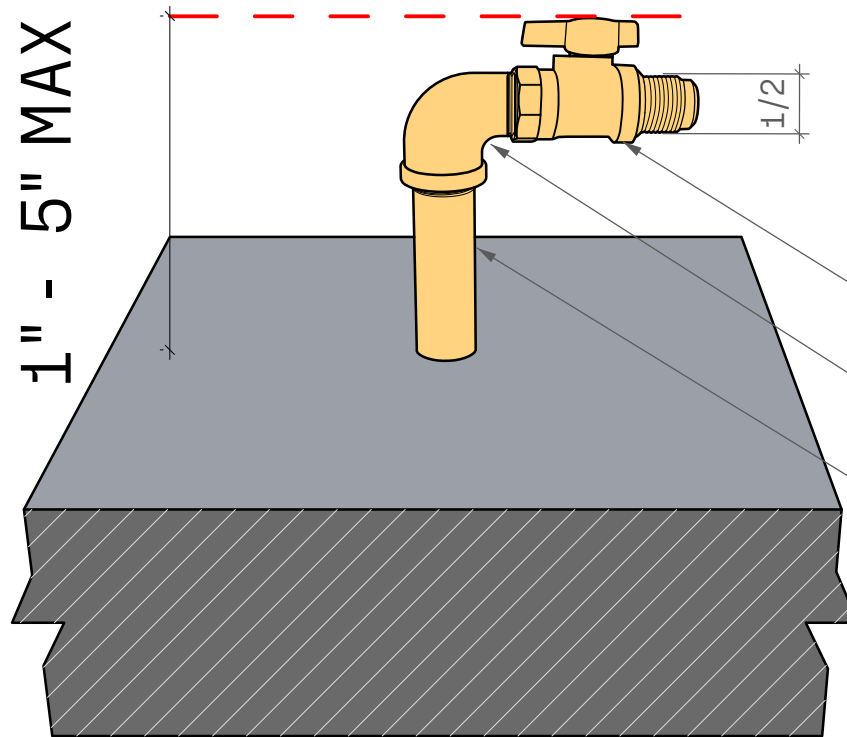
SHEET NO



BLs.3.1 SIDE SECTION  
SCALE: 1" = 1' - 0"



BLs.3.2 PLAN VIEW  
SCALE: 1" = 1' - 0"



BLs.3.3 PERSPECTIVE  
SCALE: n/a

- BRASS FNPT X FLARE GAS BALL VALVE: 1/2"
- STREET ELBOW
- GALVANIZED NIPPLE 3/4" - 1" DEPENDING ON BTU SEE PLUMBER

**PLUMBING HARD LINE**

For successful installation, hardline stub up should be capped off between 1" and 5" off finished floor.

Lumacast White Glove Delivery and Installation can only be done on IPS Piping



**LUMACAST**

3261 National Ave  
San Diego, CA 92113  
t: +1 888 710 1026  
www.lumacast.com

**PROJECT INFORMATION**

PROJECT:  
LUMACAST FIRE TABLE  
BLOC slim

DESIGNER:  
LUMACAST

**DRAWING INFORMATION**

DRAWING PACKAGE:  
2D SHOP DRAWINGS  
SHEET CONTENTS:  
HARDLINE DIAGRAM

**MORE INFORMATION**



SCAN TO LEARN MORE

AUTHOR	AUTHOR
EGI	10/23

**BLs**

**.3**

SHEET NO