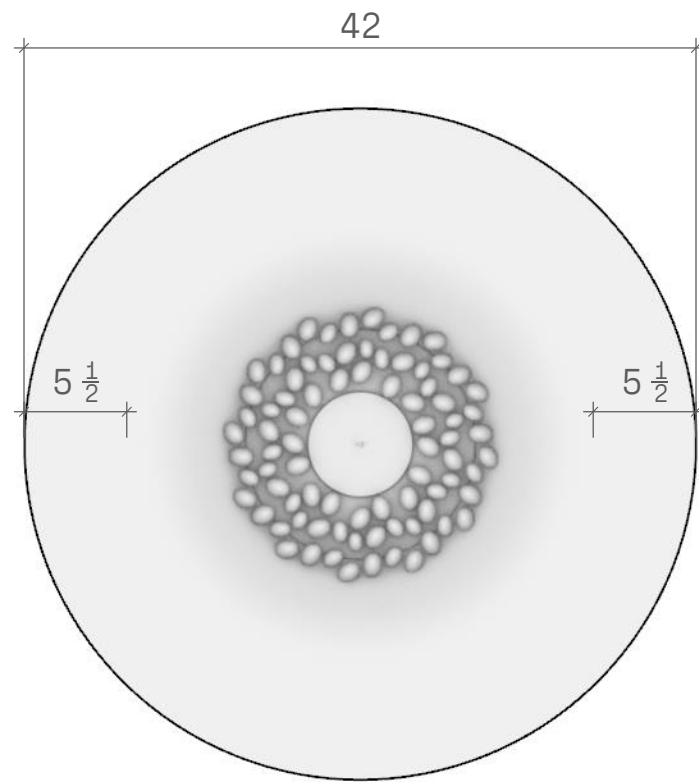
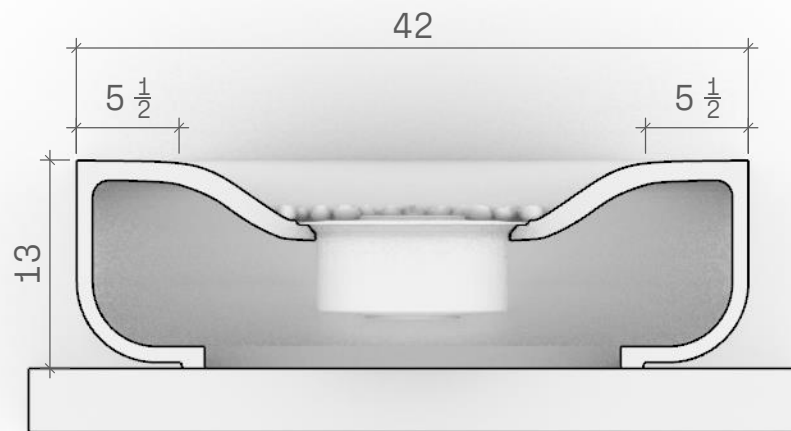


AURA eco

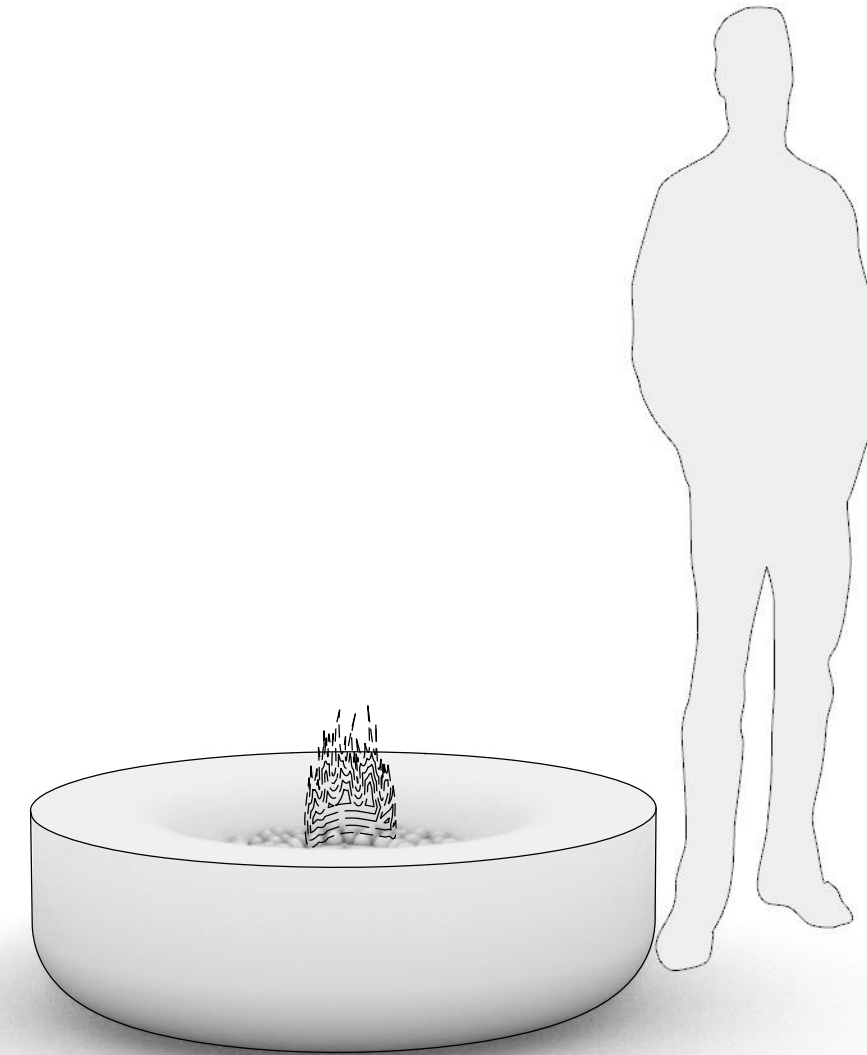
42 x 13



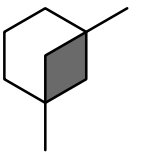
01 PLAN VIEW
SCALE: 1" = 1' - 0"



02 SIDE SECTION
SCALE: 1" = 1' - 0"



03 PERSPECTIVE VIEW
SCALE: NA



LUMACAST

9369 DOWDY DRIVE, STE G
San Diego, CA 92126
t: +1 888 710 1026
www.lumacast.com

PROJECT INFORMATION

PROJECT:
LUMACAST AURA eco

DESIGNER:
LUMACAST

DRAWING INFORMATION

DRAWING PACKAGE:
2D SHOP DRAWINGS
SHEET CONTENTS:
COVER SHEET

COLOR: ---

INFILL: ---

PRELIMINARY / UNDER REVISION
 APPROVED FOR PRODUCTION

SIGN: _____

DATE: _____

AUTHOR	AUTHOR
EGI	08/23

A1.0
SHEET NO